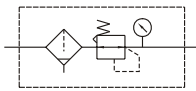


# MAFR401 series

AIR UNITS (F.R. UNIT)



Symbol:



## Specification:

Model	MAFR401		
Bore No.	8A	10A	15A
Port size	PT 1/4	PT 3/8	PT 1/2
Medium	Air		
Operating pressure range	0~15 kgf/cm <sup>2</sup> (0~1.5 MPa)		
Proof pressure	20 kgf/cm <sup>2</sup> (2 MPa)		
Regulation pressure range	Standard type: 1~8.5 kgf/cm <sup>2</sup> (0.1~0.85 MPa)		
	High pressure type: 1~15 kgf/cm <sup>2</sup> (0.1~1.5 MPa)		
Ambient temperature	- 5~ + 60°C (No freezing)		
Filtration	Standard: 40 μm Option: 5 μm		
Attachment	Pressure gauge, L-type bracket		
Weight	800 g		

※ Standard Unit contains semi-auto-drain function when operating pressure below 0.5kgf/cm<sup>2</sup>.

Order example:

MAFR401 — 8A —  — BSP

MODEL

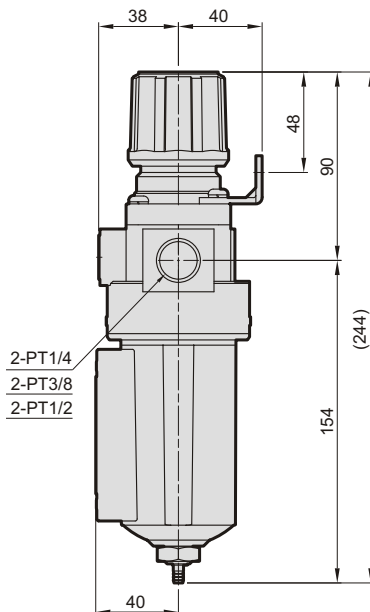
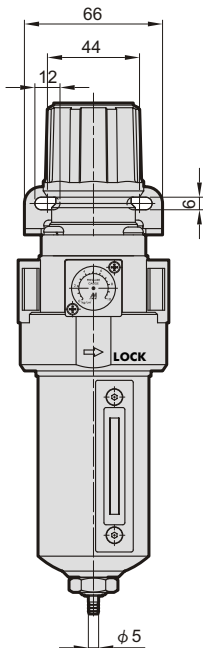
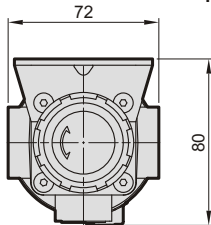
BORE SIZE

8A: PT 1/4  
10A: PT 3/8  
15A: PT 1/2

C: external pressure gauge  
D: auto drain valve  
H: high pressure type  
P: pressure switch

PORT THREAD

Blank: PT thread  
BSP: BSP thread  
NPT: NPT thread



## Flow feature:

