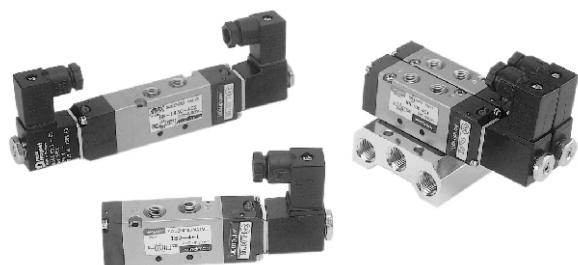


MVSC/D-180 series

SOLENOID VALVE

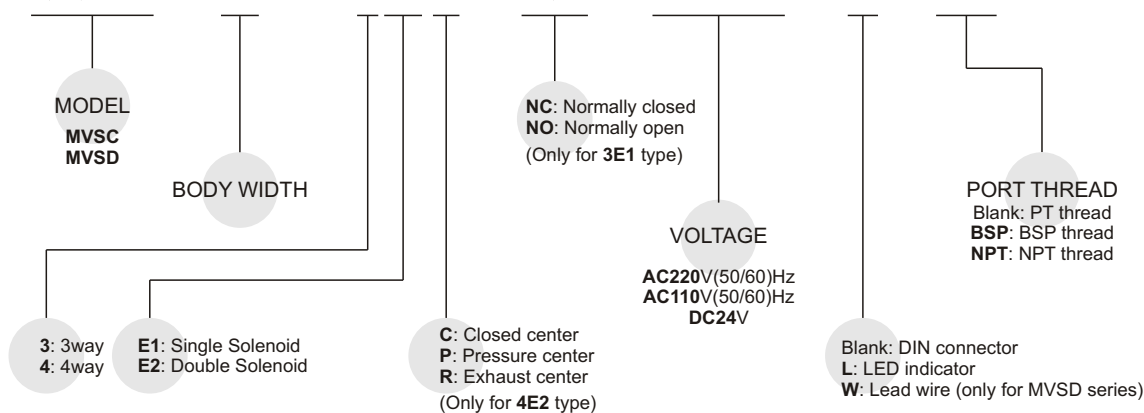


Specification:

Model	MVSC/D-180 -3E1,E2	MVSC/D-180 -4E1,E2	MVSC/D-180 -4E2C.P.R		
Bore No.	6A				
Port size	PT 1/8				
No. of port	3	5			
No. of position	2	2	3		
Medium	Air				
Operating pressure range	1.5~8 kgf/cm ²		2~7 kgf/cm ²		
Proof pressure	10 kgf/cm ²				
Effective orifice	12 mm ²	12 mm ²	9 mm ²		
Response time	30 ms				
Ambient temperature	-5~ +50°C (No freezing)				
Voltage	AC110V, 220V (50/60)Hz, DC24V				
Power consumption	AC=3.7/ 3.1VA, DC=2.9W				
Available voltage range	± 10%				
Insulation class	F class				
Weight	120 g	172 g	124 g	176 g	190 g

Order example of valve:

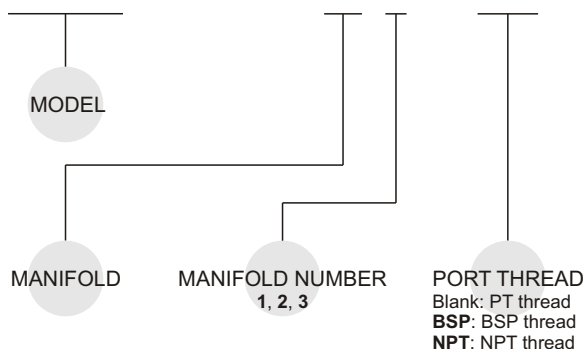
MVSC – 180 – 4E2C – NC – AC110 – L – BSP



Order example of manifold:

3 way

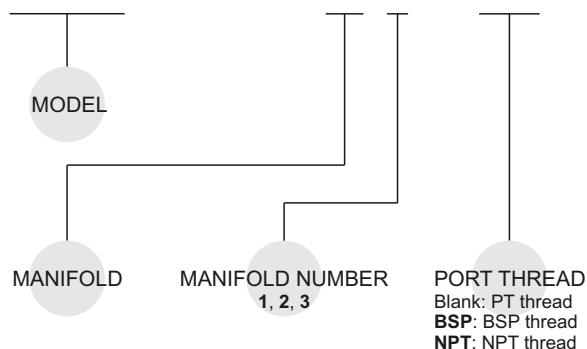
MVSC – 180 – 3B3 – BSP



4 way

※ Use the same manifold with MVSA.

MVSA – 180 – 5B3 – BSP



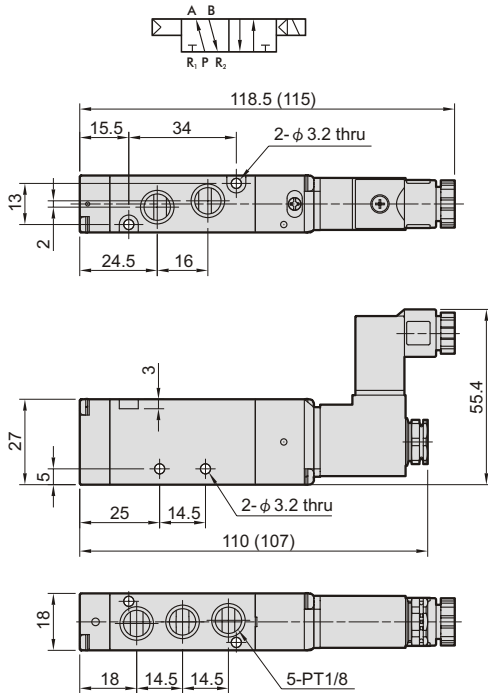
MVSC/D-180

SOLENOID VALVE

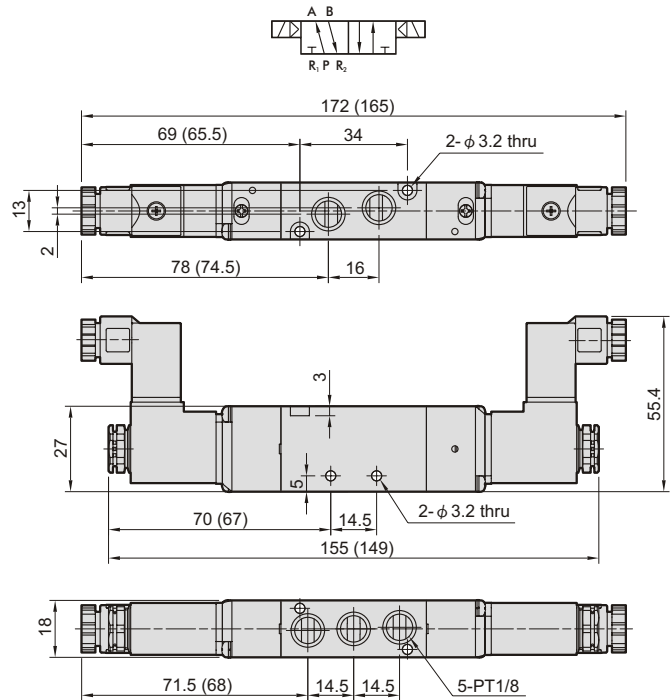


Dimensions:

MVSC/D-180-4E1

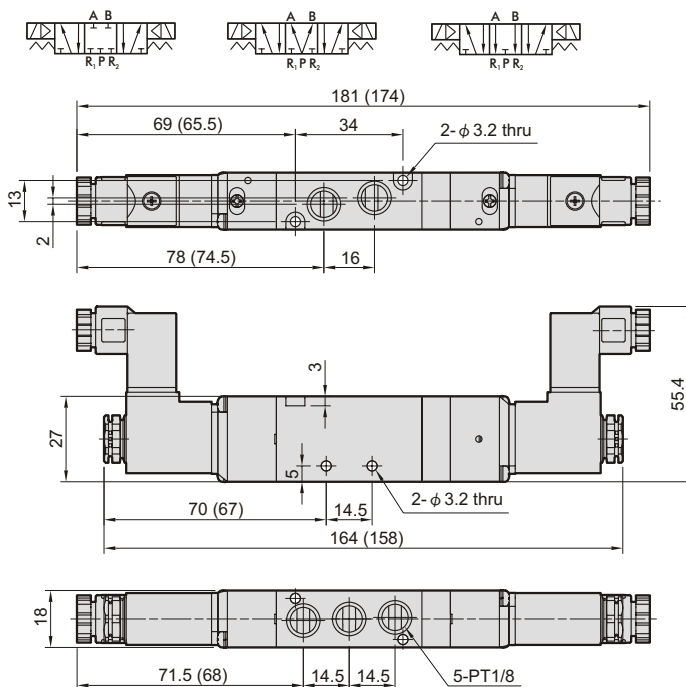


MVSC/D-180-4E2

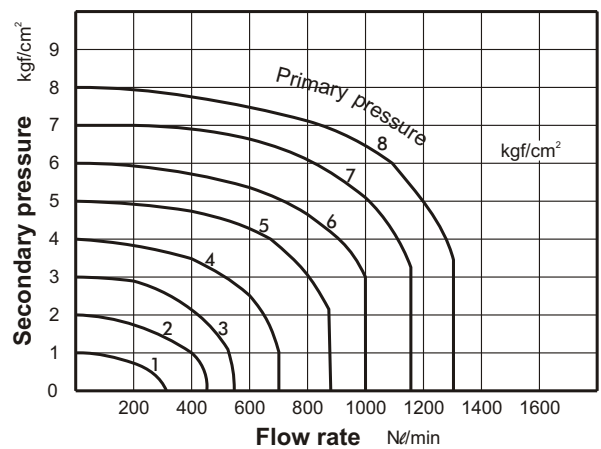


MVSC/D-180-4E2C.P.R

MVSC/D-180-4E2C MVSC/D-180-4E2P MVSC/D-180-4E2R



Flow features:



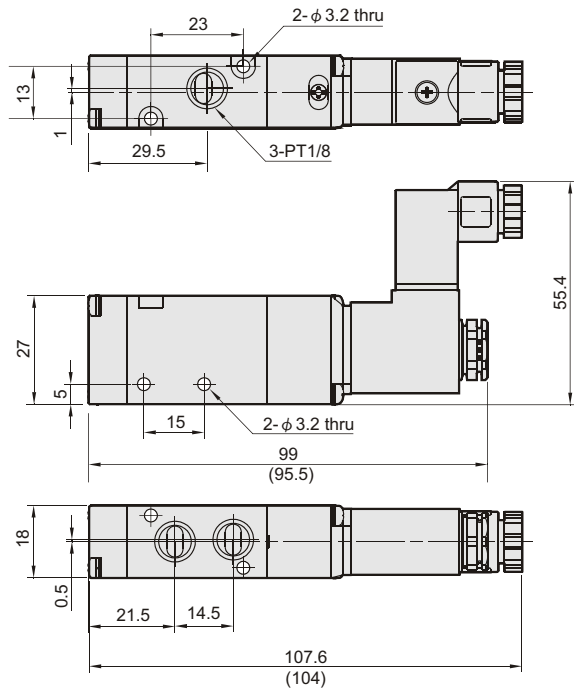
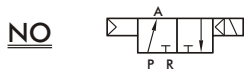
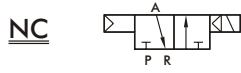
(): Dimension for MVSD

MVSC/D-180

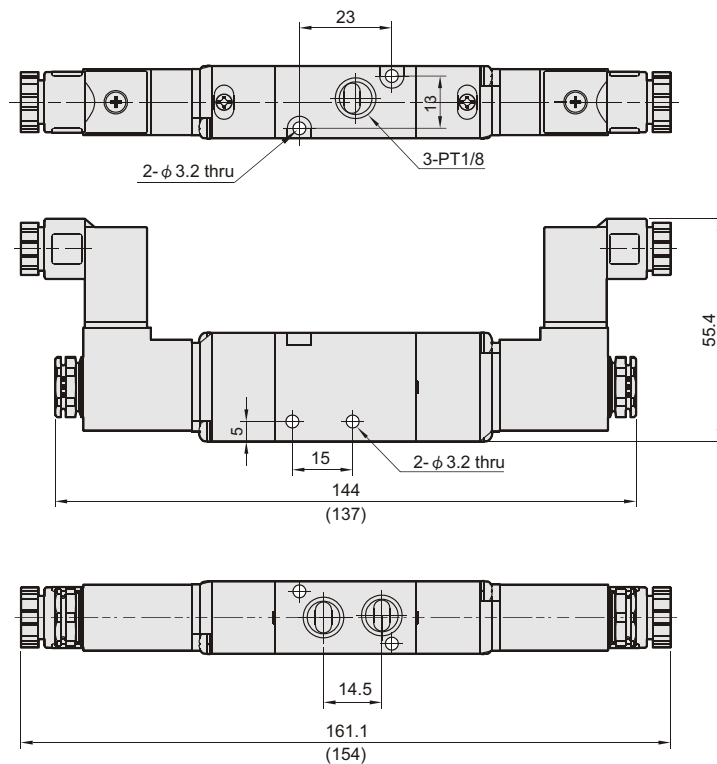
SOLENOID VALVE



MVSC/D-180-3E1-NC/NO



MVSC/D-180-3E2



(): Dimension for MVSD

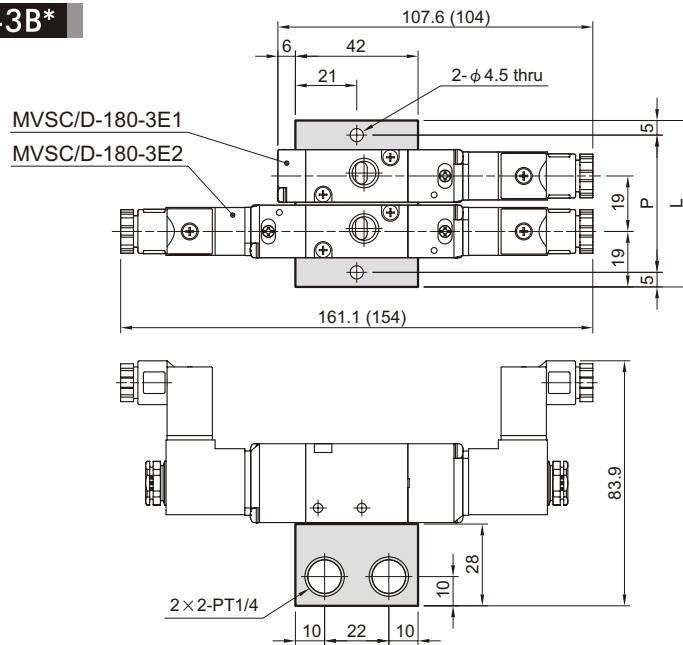
MVSC/D-180

SOLENOID VALVE



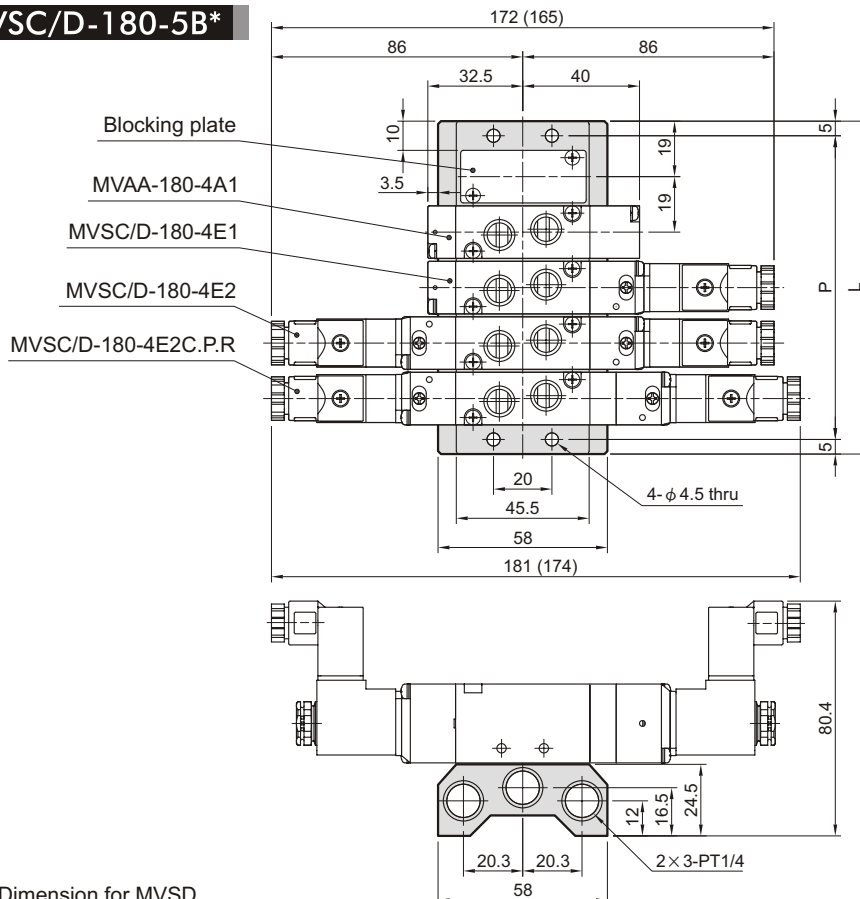
Manifold of solenoid valve:

MVSC/D-180-3B*



No. of stations	P	L
2	47	57
3	66	76
4	85	95
5	104	114
6	123	133
7	142	152
8	161	171
9	180	190
10	199	209

MVSC/D-180-5B*



No. of stations	P	L
2	47	57
3	66	76
4	85	95
5	104	114
6	123	133
7	142	152
8	161	171
9	180	190
10	199	209

(): Dimension for MVSD