

MVSN-300 series

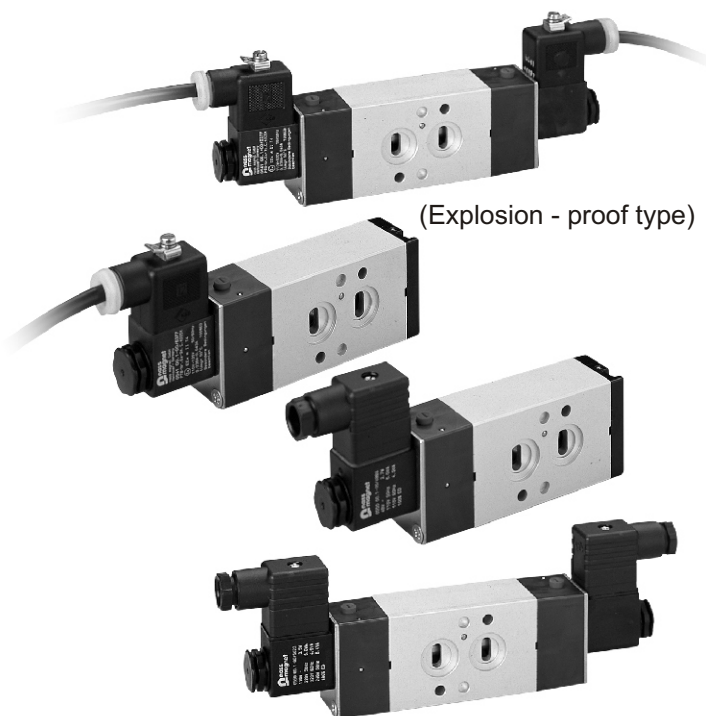
NAMUR SOLENOID VALVE



Specification:

Model	MVSN-300-4E1	MVSN-300-4E2	MVSN-300-4E2C.P.R
Bore No.	8A		
Port size	PF 1/4 (port A, R1, R2)		
No. of port	5		
No. of position	2	2	3
Medium	Air		
Operating pressure range	2~7 kgf/cm ²		3~7 kgf/cm ²
Proof pressure	10.5 kgf/cm ²		
Effective orifice	35 mm ²		30 mm ²
Response time	50 ms		
Ambient temperature	-5~+50°C (No freezing)		
Voltage	AC110V, 220V (50/60)Hz, DC24V		
Power consumption	AC=6/4.9VA, DC=2.5W		
Available voltage range	± 10%		
Insulation class	F class		
Weight	422 g	507 g	764 g

※ Port thread PT. NPT. are also available.



Order example of valve:

MVSN - 300 - 4E2C - AC110 - L

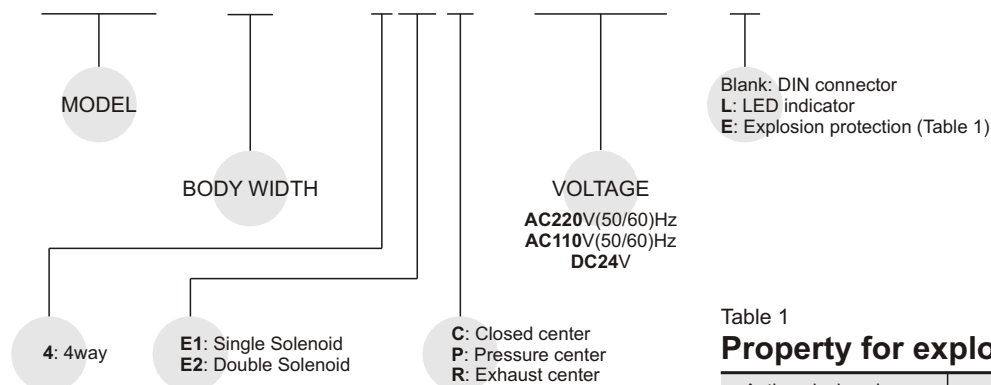


Table 1

Property for explosion-proof type

Anti-explosion class	EEx m II T4
Voltage	AC110V, 220V.(50/60)Hz, DC24V.
Power consumption	AC=4.4VA DC=5W
Available voltage range	± 10%
Insulation class	F class

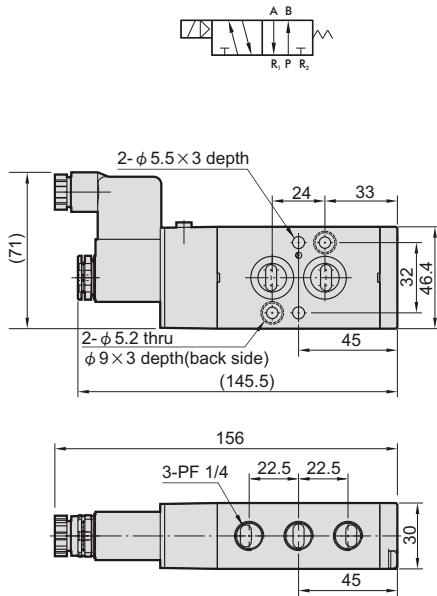
MVSN-300

NAMUR SOLENOID VALVE

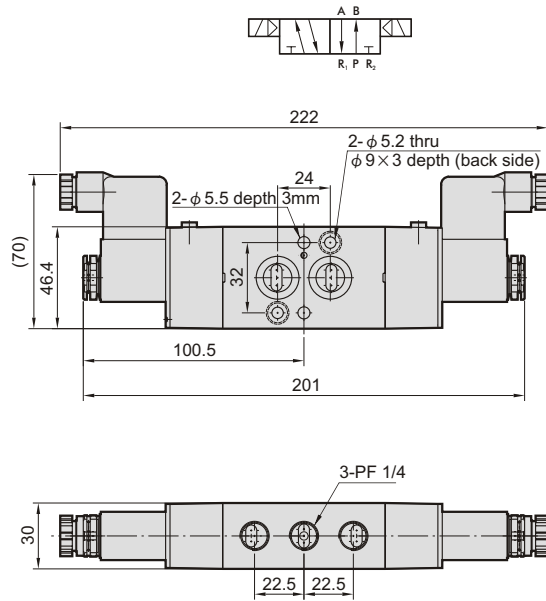


Dimensions:

MVSN-300-4E1



MVSN-300-4E2

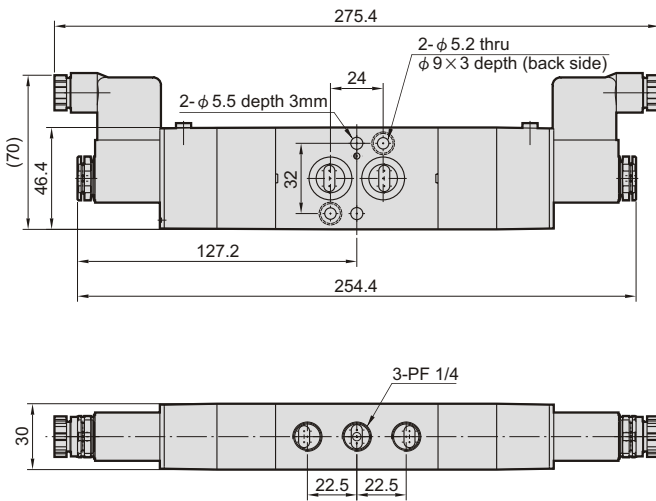
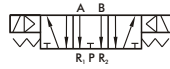
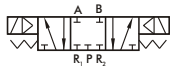


MVSN-300-4E2C.PR

MVSN-300-4E2C

MVSN-300-4E2P

MVSN-300-4E2R



Flow features:

