



INDUSTRIAL THERMOMETER



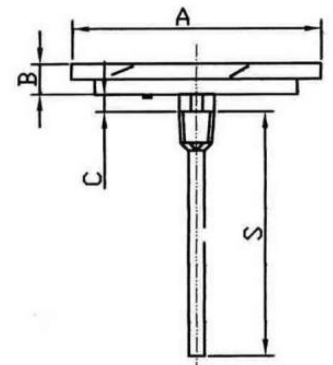
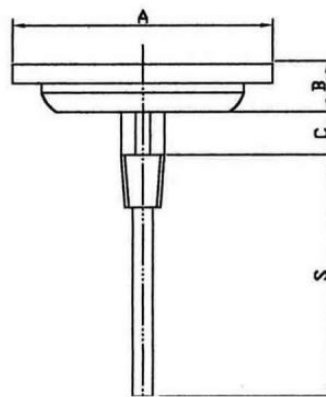
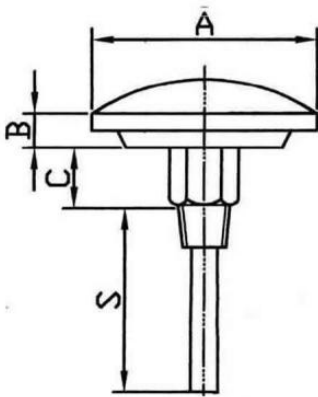
TP



T



TD



ITEM	NUMBER	DIAL SIZE	A	B	C	D	E	H	G	S	CONN	HEX
TP	T100P	1"	26.5	10.0	6.5	-	-	-	-	*	1/8"NPT	11
	T183P	1 3/8"	35.0	11.0	10.0	-	-	-	-	*	1/4"NPT	14
	T143P	1 3/4"	44.5	11.0	9.0	-	-	-	-	*	1/4"NPT	14
	T200P	2"	52.5	11.0	10.0	-	-	-	-	*	1/4"NPT	14
	T300P	3"	75.5	14.6	10.0	-	-	-	-	*	1/2"NPT	21
T	T200-1	2"	54.5	10.0	9.0	-	-	-	-	*	1/4"NPT	11
	T200-2	2"	58.0	10.0	9.0	-	-	-	-	*	1/4"NPT	14
	T221	2.5"	62.5	12.0	9.0	-	-	-	-	*	1/4"NPT	14
	T300	3"	77.0	15.0	10.0	-	-	-	-	*	1/2"NPT	21
	T400	4"	109.0	20.0	10.0	-	-	-	-	*	1/2"NPT	21
	T500	5"	127.0	19.5	10.0	-	-	-	-	*	1/2"NPT	21
TD	T300D	3"	77.0	15.0	10.0	-	-	-	-	*	1/2"NPT	21
	T400D	4"	109.0	20.0	10.0	-	-	-	-	*	1/2"NPT	21
	T500D	5"	127.0	19.5	10.0	-	-	-	-	*	1/2"NPT	21
	T600D	6"	158.0	19.5	10.0	-	-	-	-	*	1/2"NPT	21