



INDUSTRIAL THERMOMETER



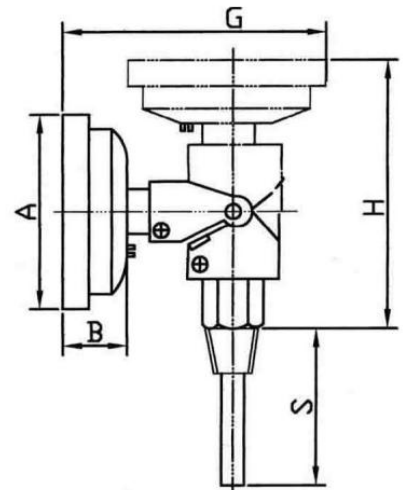
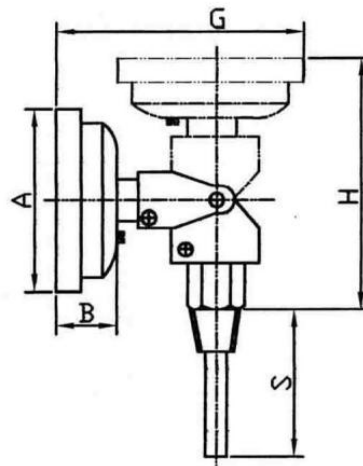
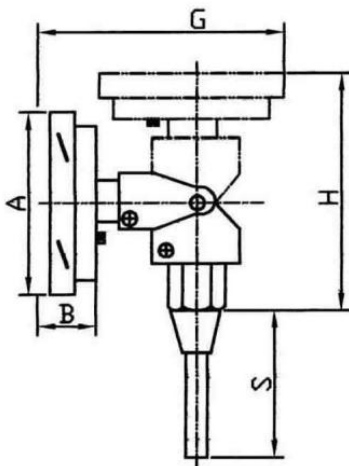
AD



AC-2



AC-1



ITEM	NUMBER	DIAL SIZE	A	B	C	D	E	H	G	S	CONN	HEX
AD	A300D	3"	77.0	15.0	-	-	-	93.5	93.5	*	1/2"NPT	21
	A400D	4"	109.0	20.0	-	-	-	98.0	116.0	*	1/2"NPT	21
	A500D	5"	127.0	19.5	-	-	-	101.0	125.5	*	1/2"NPT	21
	A600D	6"	158.0	19.5	-	-	-	101.0	141.0	*	1/2"NPT	21
AC-2	A300C-2	3"	83.5	22.0	-	-	-	100.5	99.0	*	1/2"NPT	21
	A400C-2	4"	110.0	23.0	-	-	-	105.0	117.0	*	1/2"NPT	21
	A500C-2	5"	134.0	23.0	-	-	-	105.0	129.0	*	1/2"NPT	21
AC-1	A300C-1	3"	83.5	22.0	-	-	-	97.0	99.0	*	1/2"NPT	21
	A400C-1	4"	110.0	23.0	-	-	-	98.0	117.0	*	1/2"NPT	21
	A500C-1	5"	134.0	23.0	-	-	-	98.0	129.0	*	1/2"NPT	21