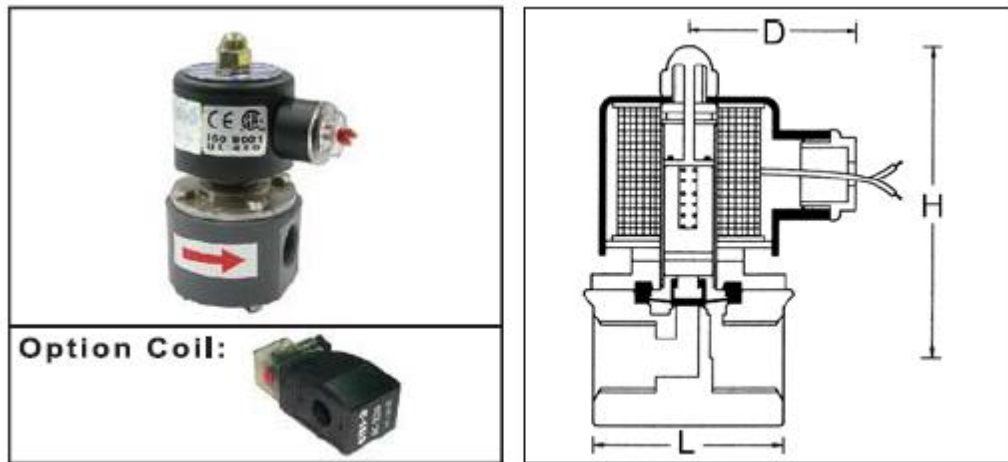




### UDC Corrosion Resistance Series (PVC Body)



1. UDC series is direct-drive, conductive to diaphragm, normal close.
2. Valve body made of PVC.
3. Small size and easy assembly.
4. Standard voltage: 110VAC / 220VAC / 24VDC
5. Other special AC/DC can be made to client`s order.
6. The standard product fluid temperature is 80°C(NBR).
7. Screwed end: BSPT , NPT , BSP.
8. UDC can be operated directly without pressure
9. AC Voltage tolerance:  $\pm 10\%$  .  
DC Voltage tolerance:  $\pm 1\%$ .

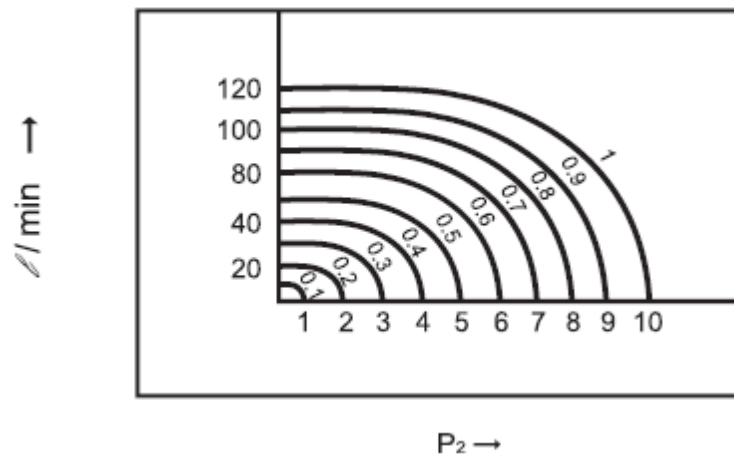
DIN	MODEL	PIPE SIZE	Cv	ORIFICE	FLUID TEMP ,°C	MAX. OPERATING PRESSURE DIFF, KGF/CM <sup>2</sup>		DIMENSION(mm)			WEIGHT (kg)
						WATER	AIR	L	H	D	
●	UDC-8	1/4"	0,28	6,5 mm	-5°C ~ 80°C	0-1	0-1	54	103	48	0.6
●	UDC-10	3/8"	0,28	6,5 mm	-5°C ~ 80°C	0-1	0-1	54	103	48	0.6
●	UDC-15	1/2"	0,28	6,5 mm	-5°C ~ 80°C	0-1	0-1	54	103	48	0.6



MATERAIL	
PARTS	MATERAIL
Body	PVC
Coil	Special Copper Wire (H)
Core	Stainless Steel
Tube	Stainless Steel
Spring	Stainless Steel
Diaphragm	PTFE
Washer	Synthetic Rubber

UDC-8, 10.15

Air



**Steam / Air P2 = Outlet Press KG/CM<sup>2</sup>**