



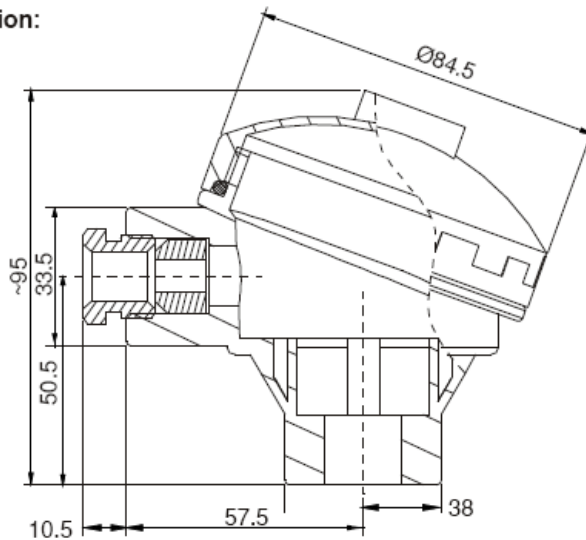
# THERMOCOUPLE HEAD & TERMINAL BLOCKS

## SCREW TOP COVER

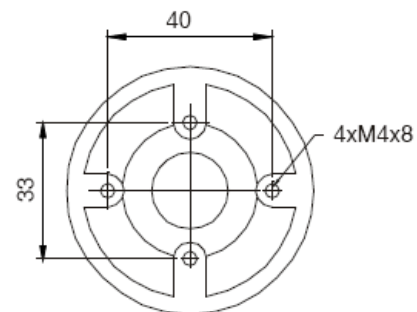
TYPE: EA3



Dimension:



A-A

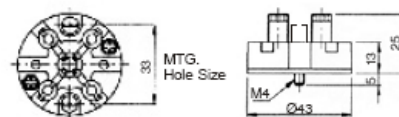


Note: Head dimensions are nominal and may slightly depending on material.

HEAD DESCRIPTION AND PART NUMBERS							
Instrument Connection	Conduit Connection	Terminal Block Material	Head&cover w/o Block	Complete Head & Block Assembly			
				2-Tem	3-Tem	4-Tem	6-Tem
DIE-CAST ALUMINUM HEAD AND COVER							
1/2"NPT	3/4"NPT	Bakelite	EA3-CU	EA3-CU-A-2P-B	EA3-CU-A-3P-B	EA3-CU-A-4P-B	EA3-CU-A-6P-B
1/2"NPT	3/4"NPT	Ceramic	EA3-CU	EA3-CU-A-2P-C	EA3-CU-A-3P-C	EA3-CU-A-2P-C	EA3-CU-A-6P-C

TERMINAL BLOCK NUMBERS		
# of Terminals	Bakelite	Ceramic
2-Tem	A-2P-B	A-2P-C
3-Tem	A-3P-B	A-3P-C
4-Tem	A-4P-B	A-4P-C
6-Tem	A-6P-B	A-6P-C

Dimension:





# ORDER INFORMATION

## Thermocouple Head

E

Material \_\_\_\_\_

- A: Aluminum
- B: Bakelite
- C: Cast Iron
- N: Nylon +Fiber
- P: PP
- S: SUS

Head Configuration \_\_\_\_\_



Window \_\_\_\_\_

- : None
- W: Window Type

Instrument Connection Selectable Size \_\_\_\_\_

- |             |              |           |              |
|-------------|--------------|-----------|--------------|
| AR---PF3/8" | BT---BSP1/2" | AV---G3/8 | M1---M16x1.5 |
| BR---PF1/2" | CT---BSP3/4" | BV---G1/2 | M2---M20x1.5 |
| CR---PF3/4" | BU---NPT1/2" | CV---G3/4 | M4---M24x1.5 |
|             | CU---NPT3/4" |           | M7---M27x2   |