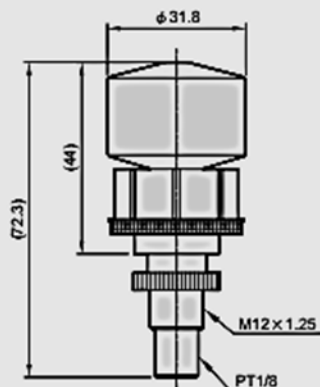


# MADV300 / FMRF300 series

AUTO DRAIN VALVES



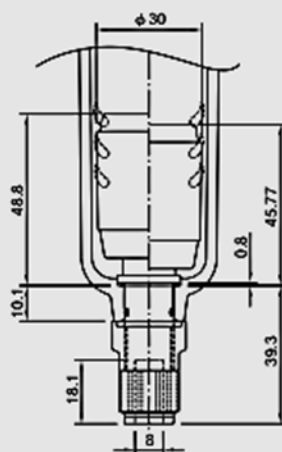
### Specification:

Model	MADV300
Operating pressure range	0-9.9 kgf/cm <sup>2</sup> (0-0.99 MPa)
Proof pressure	15 kgf/cm <sup>2</sup> (1.5 MPa)
Ambient temperature	-5- +60°C (No freezing)

Order example:

**MADV300**

MODEL  
for MA\*\*300



### Specification:

Model	FMRF300
Operating pressure range	1.5-9.9 kgf/cm <sup>2</sup> (0.15-0.99 MPa)
Proof pressure	15 kgf/cm <sup>2</sup> (1.5 MPa)
Ambient temperature	-5- +60°C (No freezing)

Order example:

**FMRF300 – AD – U**

※ for Air Unit  
MA\*\*300series  
MA\*\*400series  
MA\*\*401series

Ordered with filter together