

# MVDC-220 series

SOLENOID VALVE (Direct operated type)



### Specification:

Model	2E1	3E1
Bore No.	6A	
Port size	PT 1/8	
No. of port	2	3
No. of position	2	
Medium	Air	
Operating pressure range	0.1~7 kgf/cm <sup>2</sup>	
Effective orifice	0.8 mm <sup>2</sup>	
Response time	20 ms	
Ambient temperature	-5~+50°C (No freezing)	
Voltage	AC110V, 220V (50/60)Hz, DC24V	
Power consumption	AC=6/4.9VA, DC=2.5W	
Available voltage range	±10%	
Insulation class	F class	
Weight	155 g	

### Order example of valve:

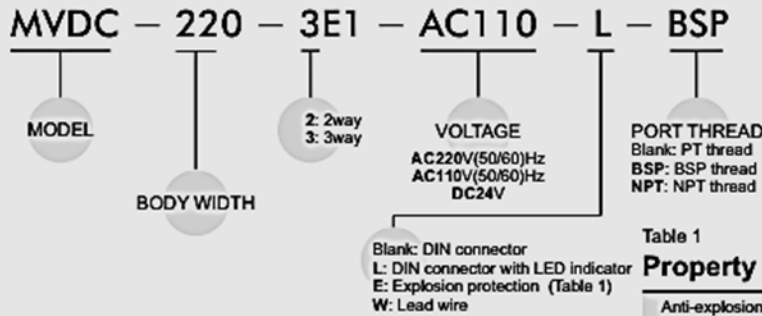
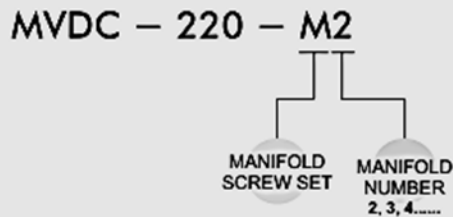


Table 1

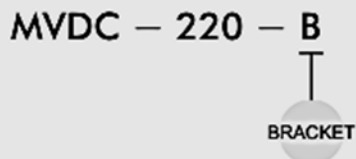
### Property for explosion-proof type

Anti-explosion class	EEx m II T4
Voltage	AC110V, 220V.(50/60)Hz, DC24V.
Power consumption	AC=4.4VA DC=5W
Available Voltage range	±10%
Insulation class	F class

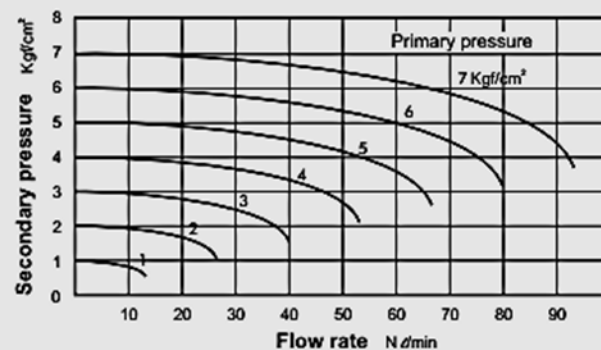
### Order example of manifold screw set:



### Order example of bracket:



### Flow features:

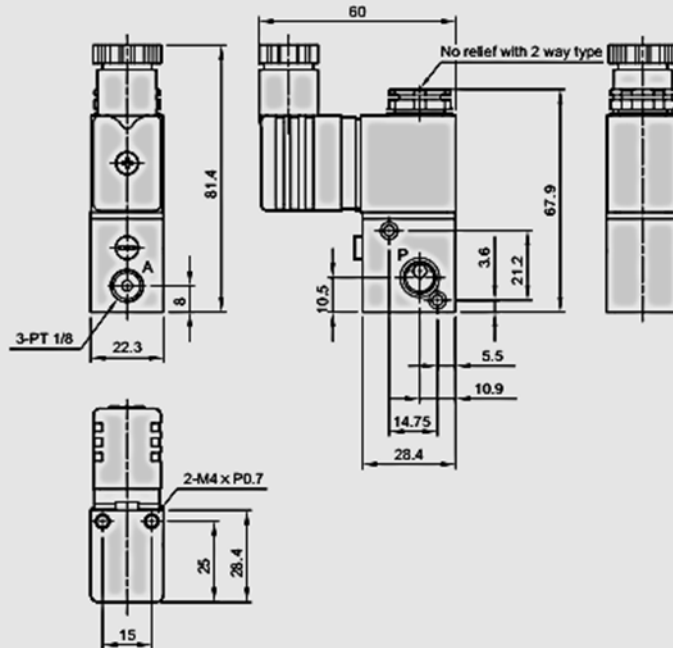
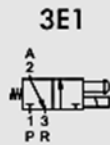
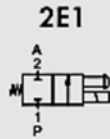


# MVDC-220 Dimensions / Mounting accessories

SOLENOID VALVE (Direct operated type)



## MVDC-220



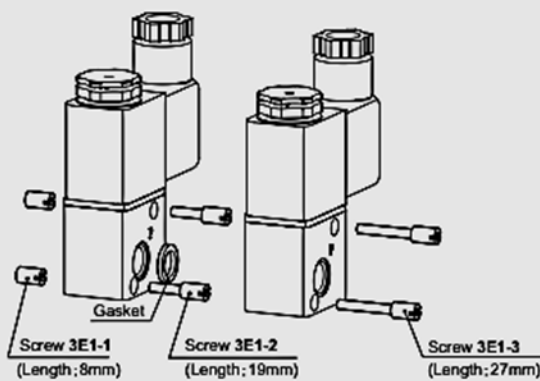
### Mounting accessories:

#### MVDC-220-M\*

Manifold screw set

#### MVDC-220-B

Bracket



1. Screw 3E1-1 & screw 3E1-2: for the first station.
2. Gasket & Screw 3E1-3: for the second and other station.

