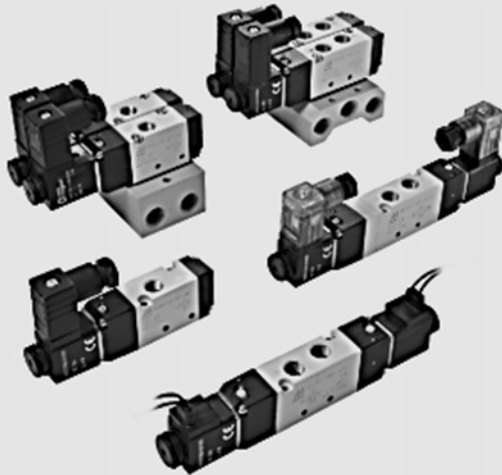


MVSC/D-180 series

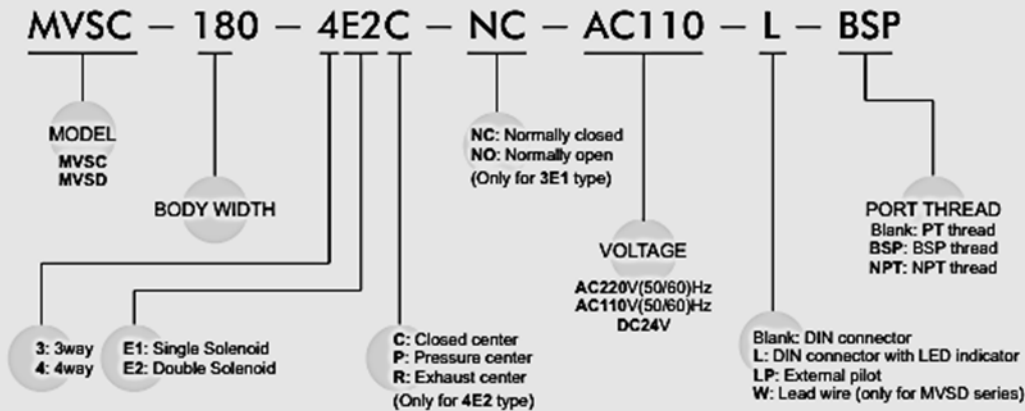
SOLENOID VALVE



Specification:

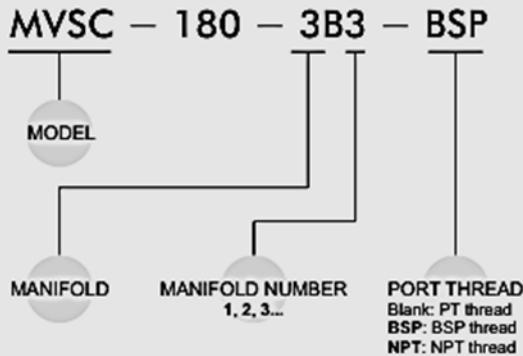
Model	3E1, 3E2	4E1, 4E2	4E2C.P.R.
Bore No.	6A		
Port size	PT 1/8		
No. of port	3	5	
No. of position	2		3
Medium	Air		
Operating pressure range	1.5~8 kgf/cm ²		2~7 kgf/cm ²
Operating pressure (LP)	0~8 kgf/cm ²		0~7 kgf/cm ²
External pilot pressure (LP)	1.5~8 kgf/cm ²		2~7 kgf/cm ²
Proof pressure	10 kgf/cm ²		
Effective orifice	12 mm ²		9 mm ²
Response time	30 ms		
Ambient temperature	-5~+50°C (No freezing)		
Voltage	AC110V, 220V (50/60)Hz, DC24V		
Power consumption	AC=3.7/ 3.1VA, DC=2.9W		
Available voltage range	±10%		
Insulation class	F class		
Weight	120 g	172 g	124 g 176 g 190 g

Order example of valve:



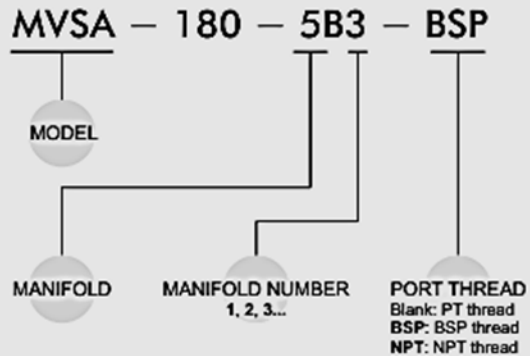
Order example of manifold:

3 way



4 way

※ Use the same manifold with MVSA.

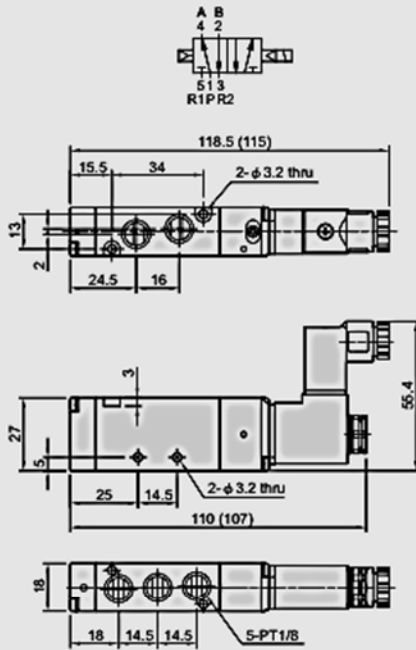


MVSC/D-180 Dimensions

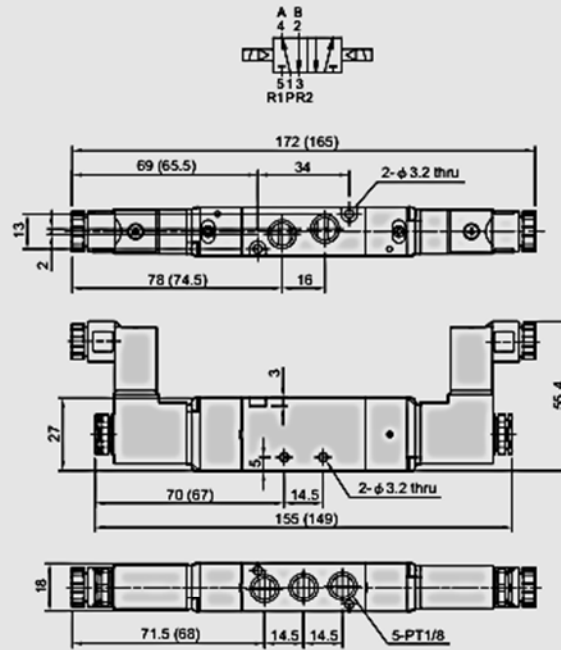
SOLENOID VALVE



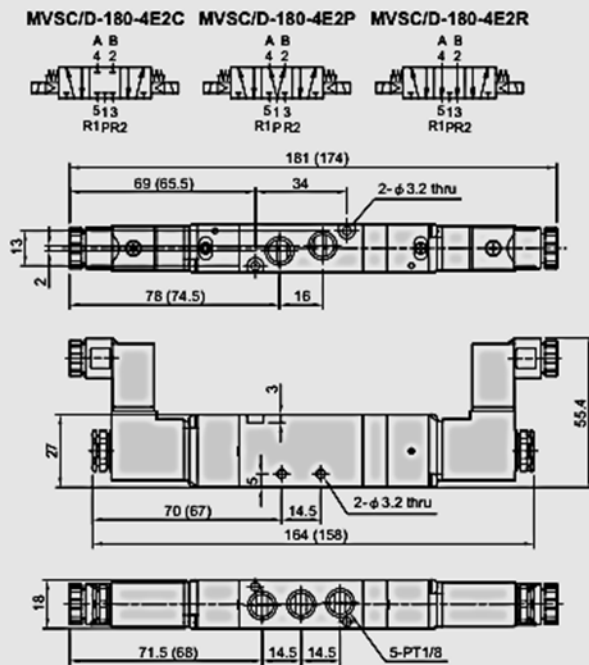
MVSC/D-180-4E1



MVSC/D-180-4E2

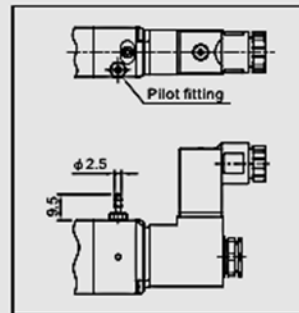


MVSC/D-180-4E2C.PR

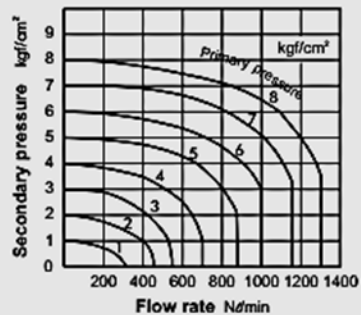


() Dimension for MVSD

LP



Flow features:

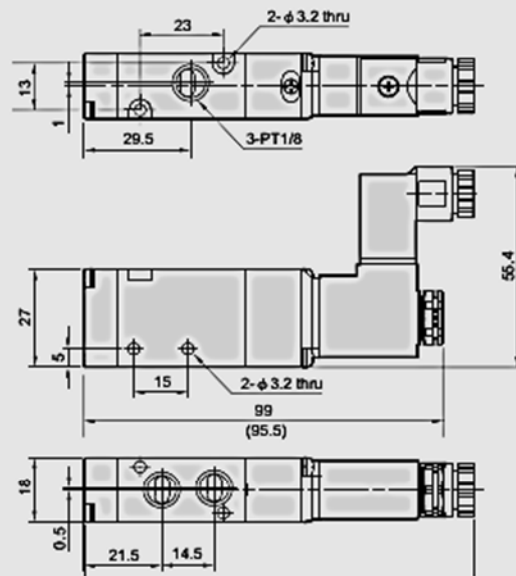
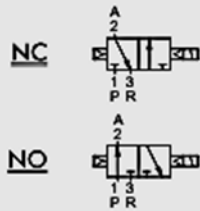


MVSC/D-180 Dimensions

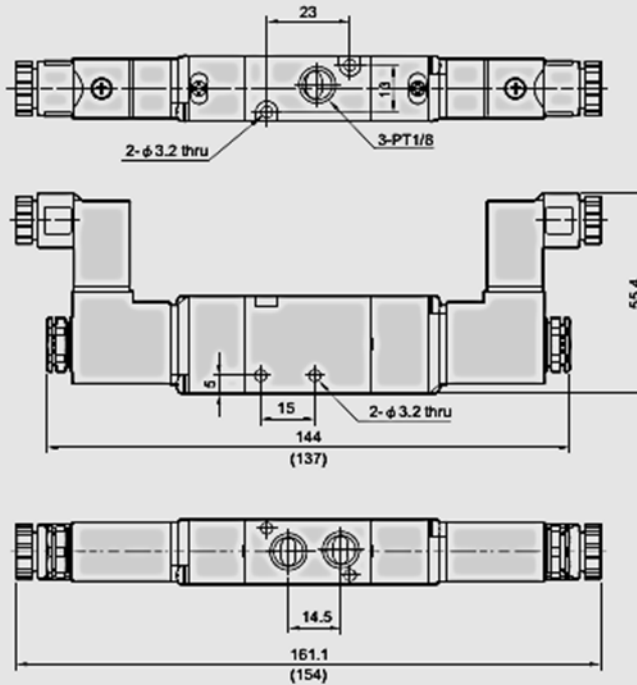
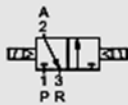
SOLENOID VALVE



MVSC/D-180-3E1-NC/NO



MVSC/D-180-3E2



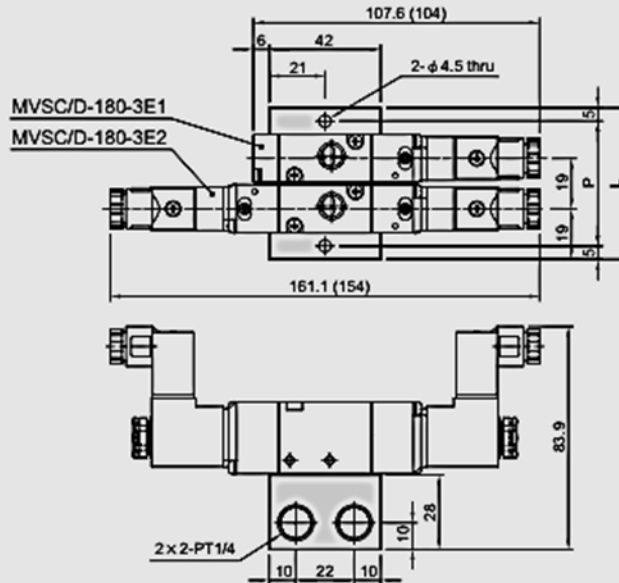
() : Dimension for MVSD

MVSC/D-180 Manifold

SOLENOID VALVE

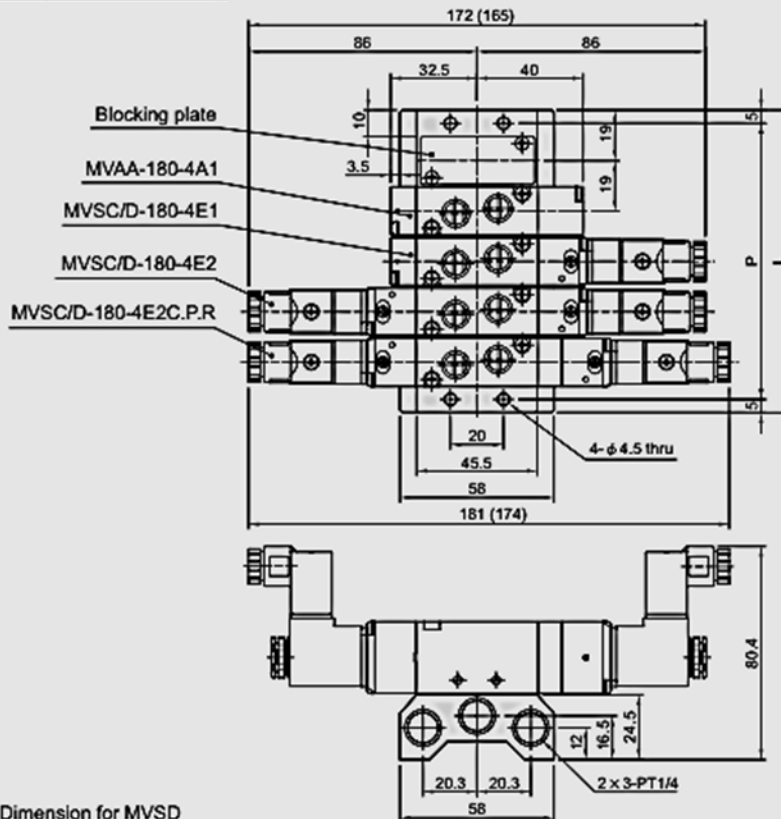


MVSC/D-180-3B*



No. of stations	P	L
2	47	57
3	66	76
4	85	95
5	104	114
6	123	133
7	142	152
8	161	171
9	180	190
10	199	209

MVSC/D-180-5B*



No. of stations	P	L
2	47	57
3	66	76
4	85	95
5	104	114
6	123	133
7	142	152
8	161	171
9	180	190
10	199	209

() Dimension for MVSD