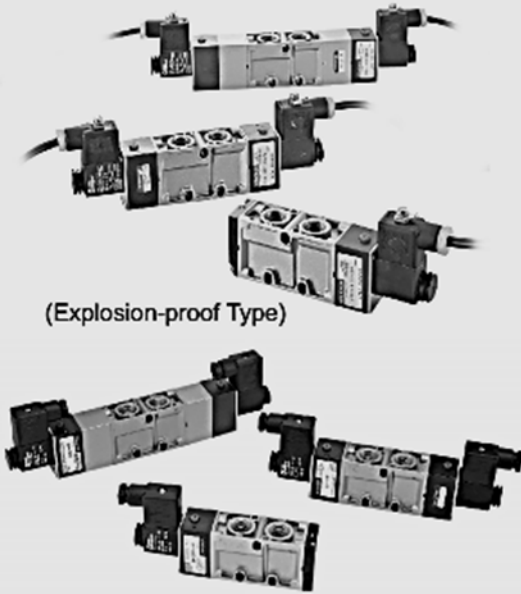


# MVSC-300 series

SOLENOID VALVE



(Explosion-proof Type)

### Specification:

Model	MVSC-300-3E1	MVSC-300-4E1,E2	MVSC-300-4E2C.PR
Bore No.	10A		
Port size	PT 3/8		
No. of port	3	5	
No. of position	2	2	3
Medium	Air		
Operating pressure range	2~7 kgf/cm <sup>2</sup>		3~7 kgf/cm <sup>2</sup>
Proof pressure	10 kgf/cm <sup>2</sup>		
Effective orifice	35 mm <sup>2</sup>		25 mm <sup>2</sup>
Ambient temperature	- 5~ + 50 °C (No freezing)		
Response time	50 ms		
Voltage	AC110V, 220V (50/60)Hz, DC24V		
Power consumption	AC=6/4.9VA DC=2.5W		
Available voltage range	±10%		
Insulation class	F class		
Weight	350 g	337 g	422 g 680 g

### Order example of valve:

MVSC - 300 - 4E2C - AC110 - L - BSP

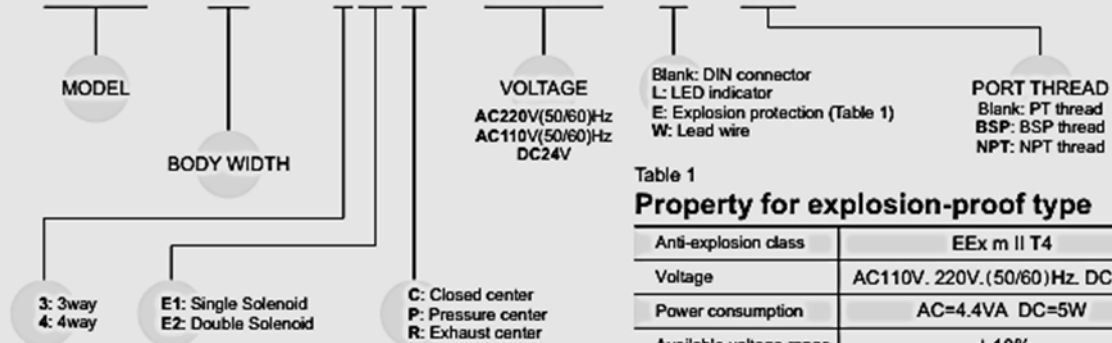


Table 1

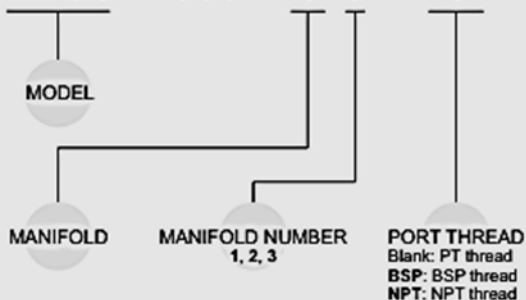
### Property for explosion-proof type

Anti-explosion class	EEx m II T4
Voltage	AC110V, 220V, (50/60)Hz, DC24V.
Power consumption	AC=4.4VA DC=5W
Available voltage range	±10%
Insulation class	F class

### Order example of manifold:

**3 way**

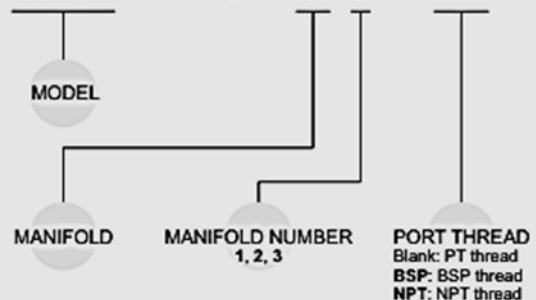
MVSC - 300 - 3B3 - BSP



**4 way**

※ Use the same manifold with MVSA.

MVSA - 300 - 5B3 - BSP



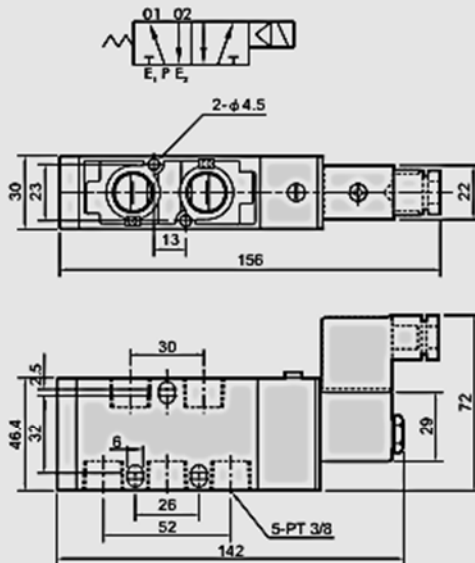
# MVSC-300

SOLENOID VALVE

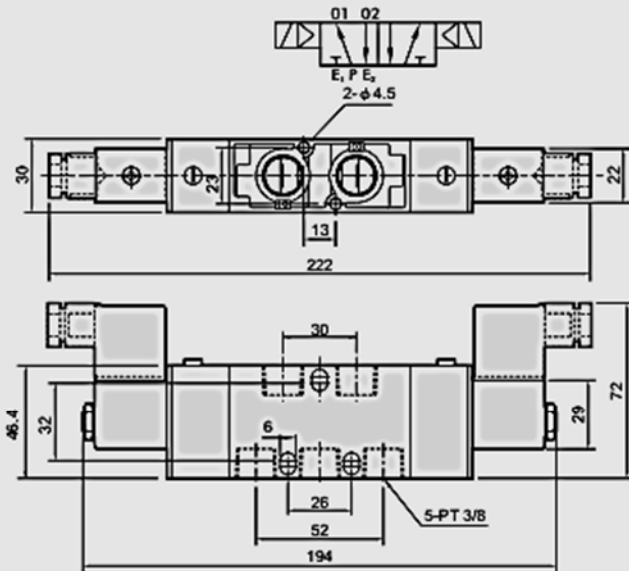


## Dimensions:

**MVSC-300-4E1**

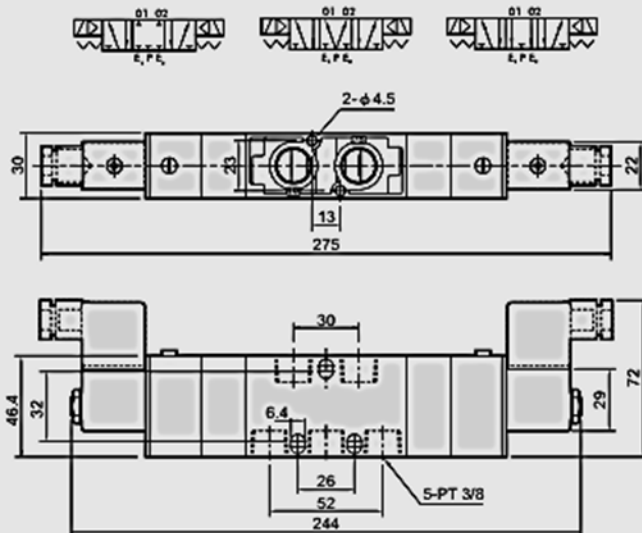


**MVSC-300-4E2**

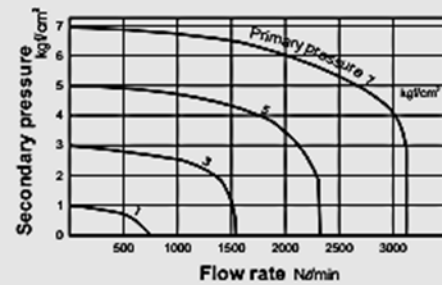


**MVSC-300-4E2C.P.R**

MVSC-300-4E2C    MVSC-300-4E2P    MVSC-300-4E2R



## Flow features:



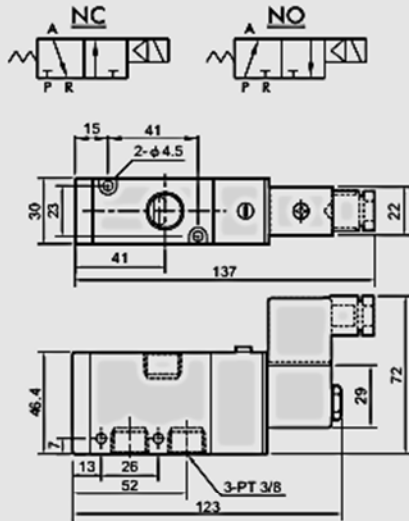
# MVSC-300

SOLENOID VALVE

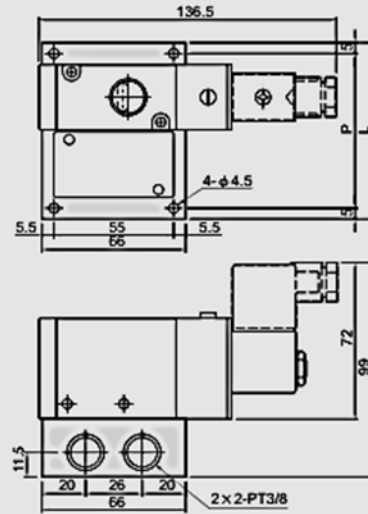


## Manifold of solenoid valve:

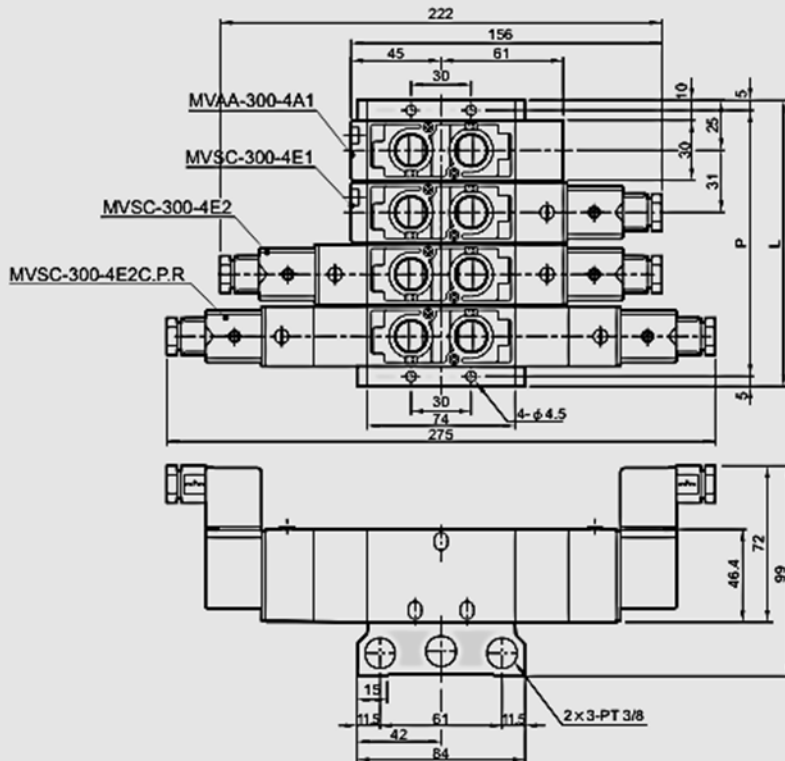
### MVSC-300-3E1-NC/NO



### MVSC-300-3B\*



## Manifold of solenoid valve:



No. of stations	P	L
2	71	81
3	102	112
4	133	143
5	164	174
6	195	205
7	226	236
8	257	267
9	288	298
10	319	329