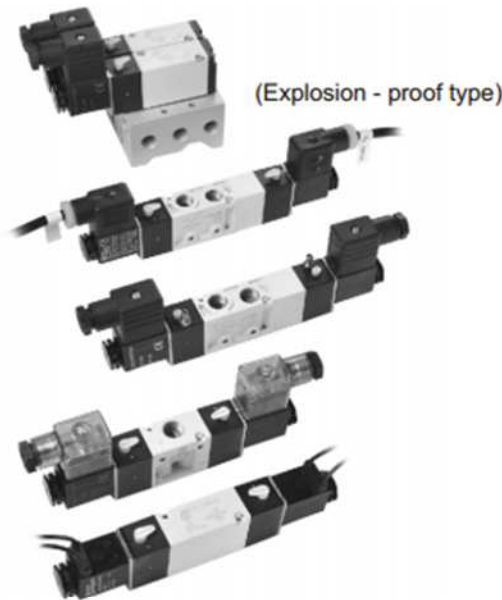


# MVSC-220 series

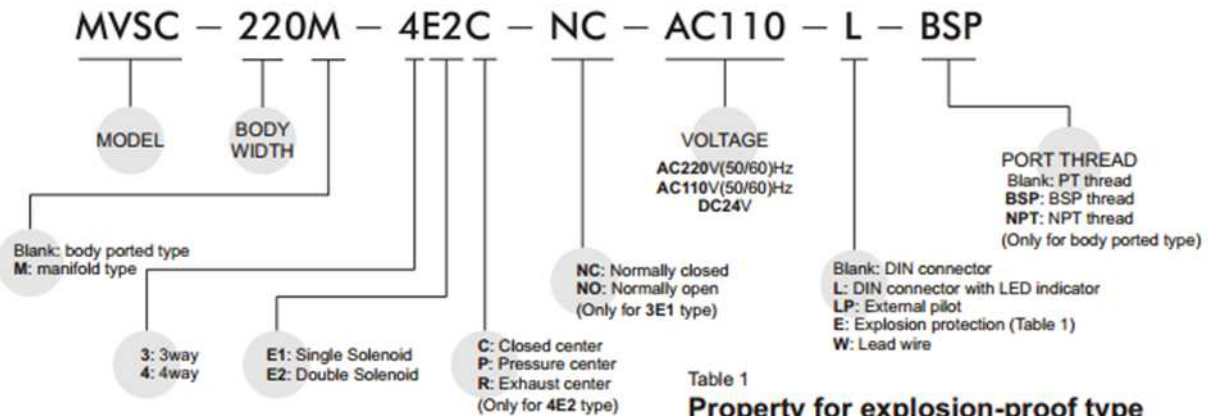
SOLENOID VALVE



### Specification:

Model	MVSC-220-3E1,E2	MVSC-220-4E1,E2	MVSC-220-4E2C.P.R
Bore No.	8A		
Port size	PT 1/4		
No. of port	3	5	
No. of position	2	2	3
Medium	Air		
Operating pressure range	2~7 kgf/cm <sup>2</sup>		3~7 kgf/cm <sup>2</sup>
Operating pressure (LP)	0~7 kgf/cm <sup>2</sup>		
External pilot pressure (LP)	2~7 kgf/cm <sup>2</sup>		3~7 kgf/cm <sup>2</sup>
Proof pressure	10 kgf/cm <sup>2</sup>		
Effective orifice	18 mm <sup>2</sup>		16 mm <sup>2</sup>
Response time	30 ms		40 ms
Ambient temperature	- 5~ + 50°C (No freezing)		
Voltage	AC110V, 220V (50/60)Hz, DC24V		
Power consumption	AC=6/4.9VA, DC=2.5W		
Available voltage range	± 10%		
Insulation class	F class		
Weight	203 g	296 g	184 g 292 g 338 g

### Order example of valve:



### Order example of manifold:

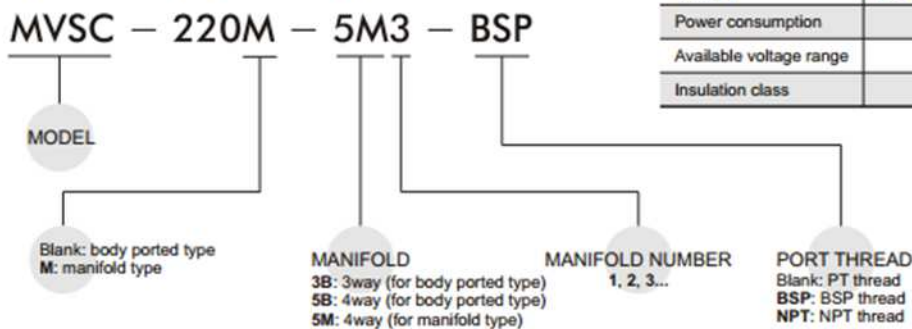


Table 1  
**Property for explosion-proof type**

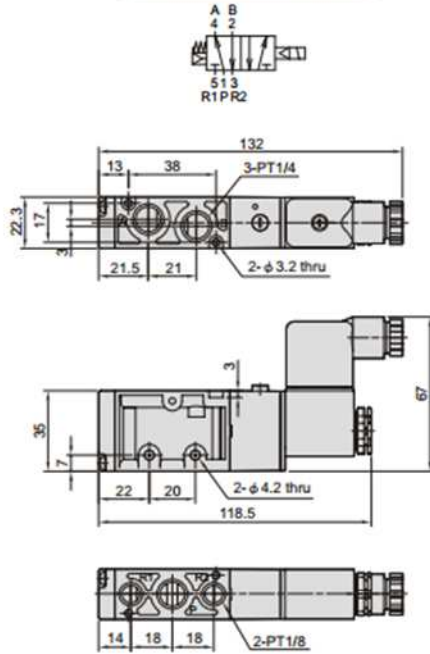
Anti-explosion class	EEx m II T4
Voltage	AC110V, 220V, (50/60)Hz, DC24V.
Power consumption	AC=4.4VA DC=5W
Available voltage range	± 10%
Insulation class	F class

# MVSC-220 Dimensions

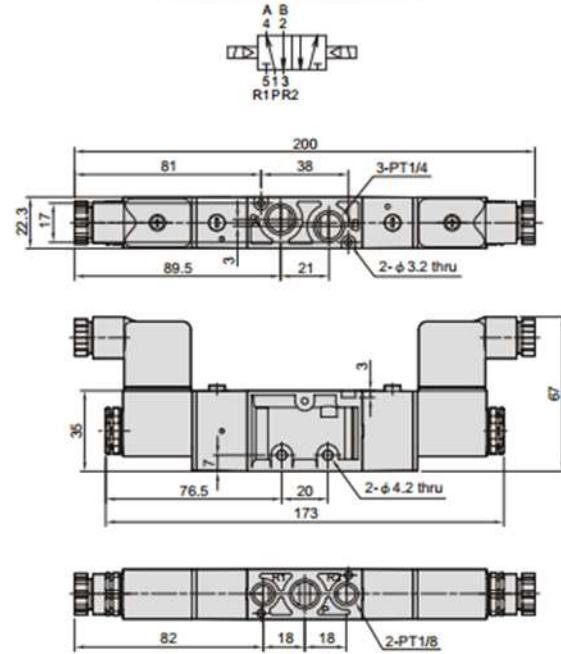
SOLENOID VALVE



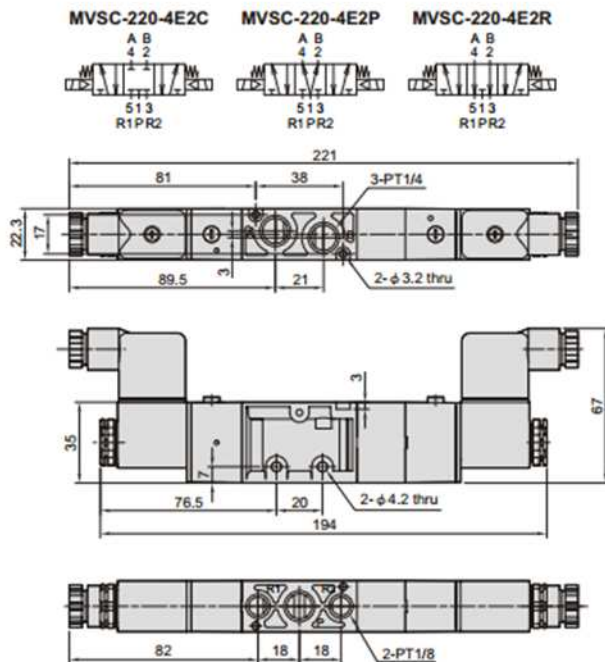
## MVSC-220-4E1



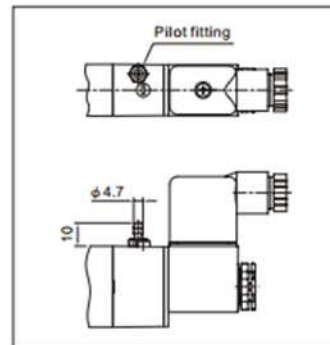
## MVSC-220-4E2



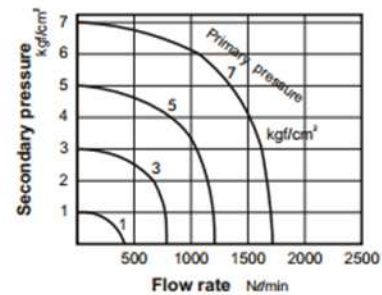
## MVSC-220-4E2C.P.R



## LP



### Flow features:

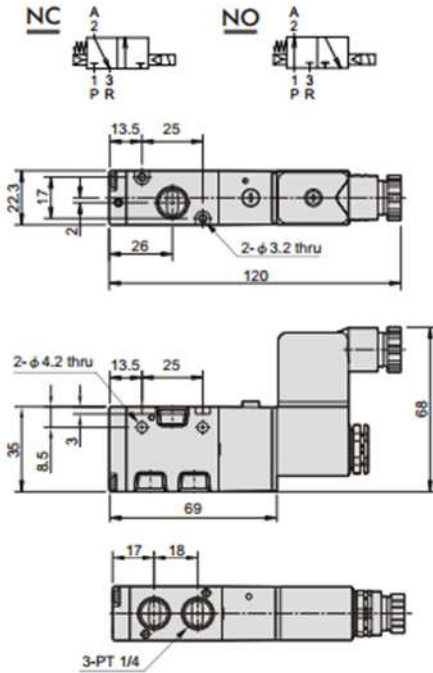


# MVSC-220 Dimensions / Manifold

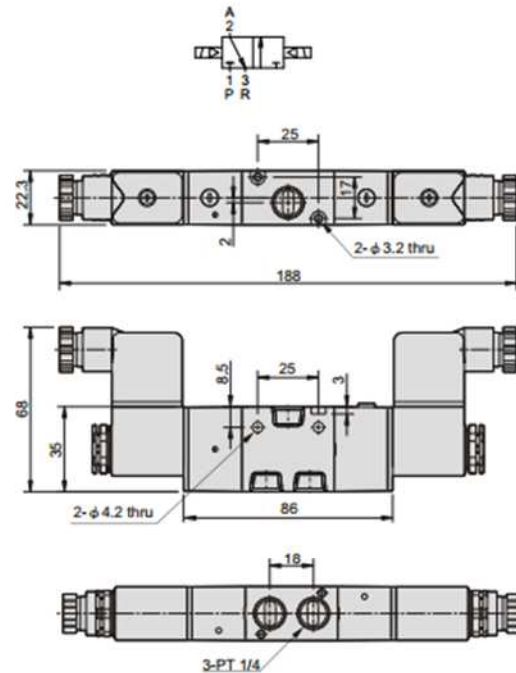
SOLENOID VALVE



## MVSC-220-3E1-NC/NO



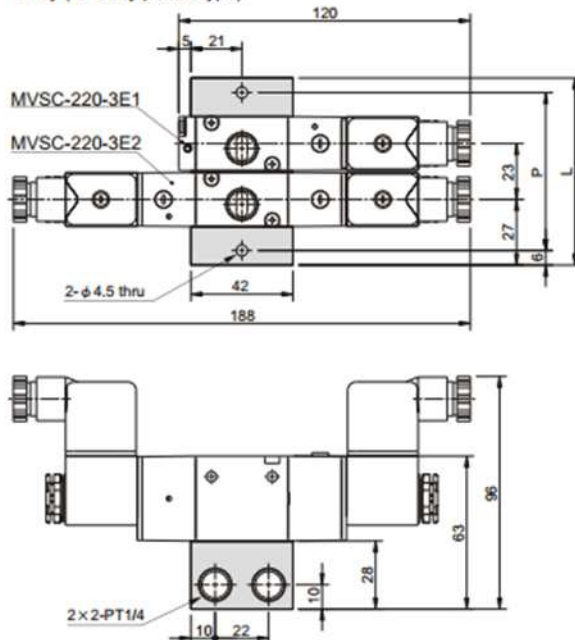
## MVSC-220-3E2



## Manifold of solenoid valve

### MVSC-220-3B\*

3way (for body ported type)



No. of stations	P	L
2	65	77
3	88	100
4	111	123
5	134	146
6	157	169
7	180	192
8	203	215
9	226	238
10	249	261

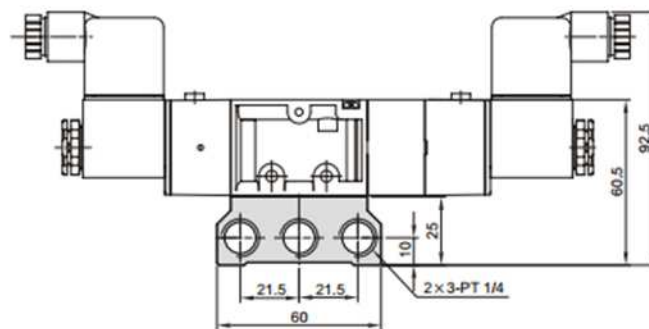
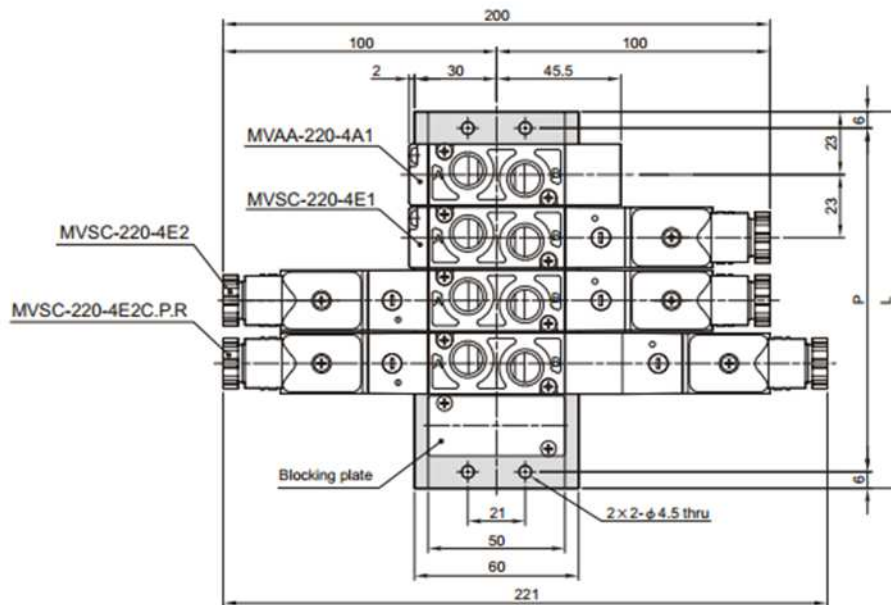
# MVSC-220 Manifold

## SOLENOID VALVE



### MVSC-220-5B\*

4way (for body ported type)



No. of stations	P	L
2	57	69
3	80	92
4	103	115
5	126	138
6	149	161
7	172	184
8	195	207
9	218	230
10	241	253

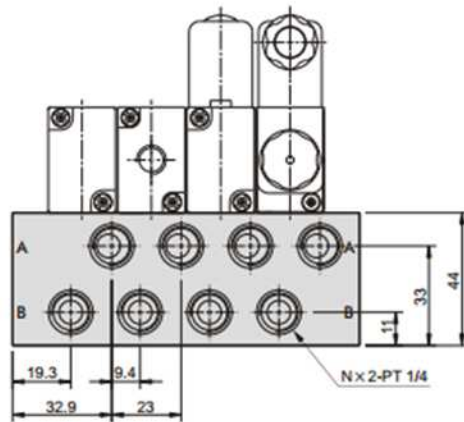
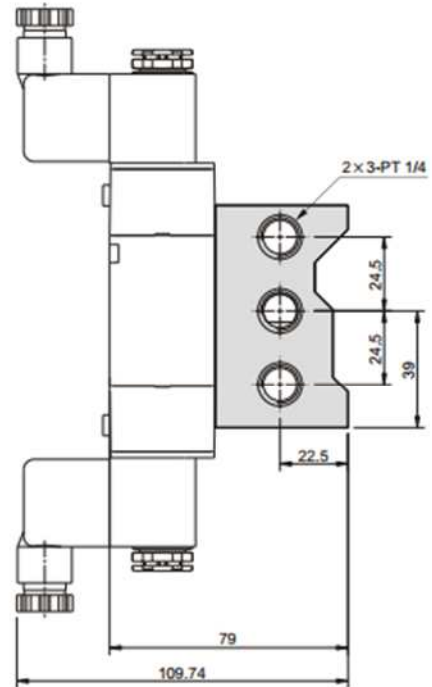
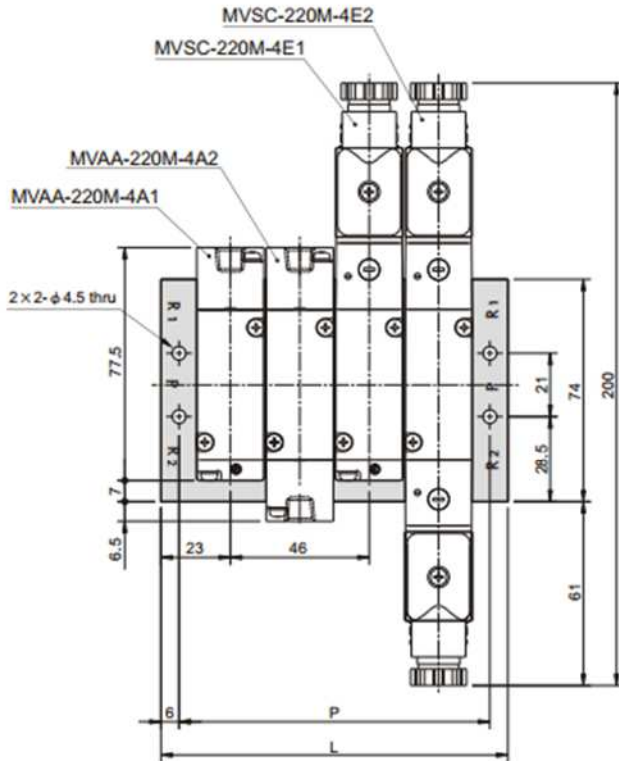
# MVSC-220 Manifold

## SOLENOID VALVE



### MVSC-220M-5M\*

4way (for manifold type)



No. of stations (N)	P	L
2	57	69
3	80	92
4	103	115
5	126	138
6	149	161
7	172	184
8	195	207
9	218	230
10	241	253