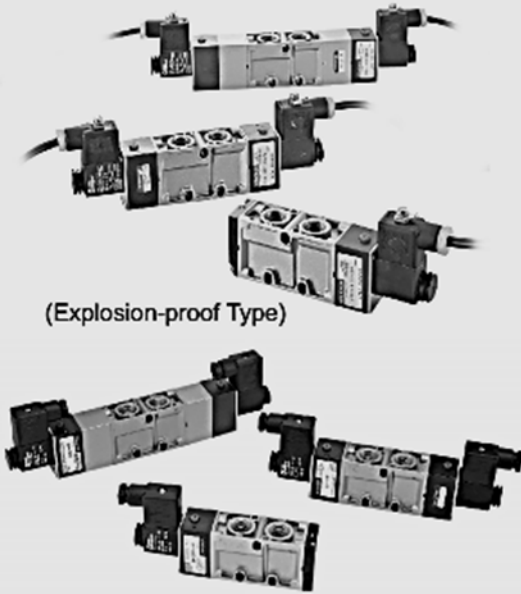


MVSC-300 series

SOLENOID VALVE



(Explosion-proof Type)

Specification:

Model	MVSC-300-3E1	MVSC-300-4E1,E2	MVSC-300-4E2C.PR
Bore No.	10A		
Port size	PT 3/8		
No. of port	3	5	
No. of position	2	2	3
Medium	Air		
Operating pressure range	2~7 kgf/cm ²		3~7 kgf/cm ²
Proof pressure	10 kgf/cm ²		
Effective orifice	35 mm ²		25 mm ²
Ambient temperature	- 5~ + 50 °C (No freezing)		
Response time	50 ms		
Voltage	AC110V, 220V (50/60)Hz, DC24V		
Power consumption	AC=6/4.9VA DC=2.5W		
Available voltage range	±10%		
Insulation class	F class		
Weight	350 g	337 g	422 g 680 g

Order example of valve:

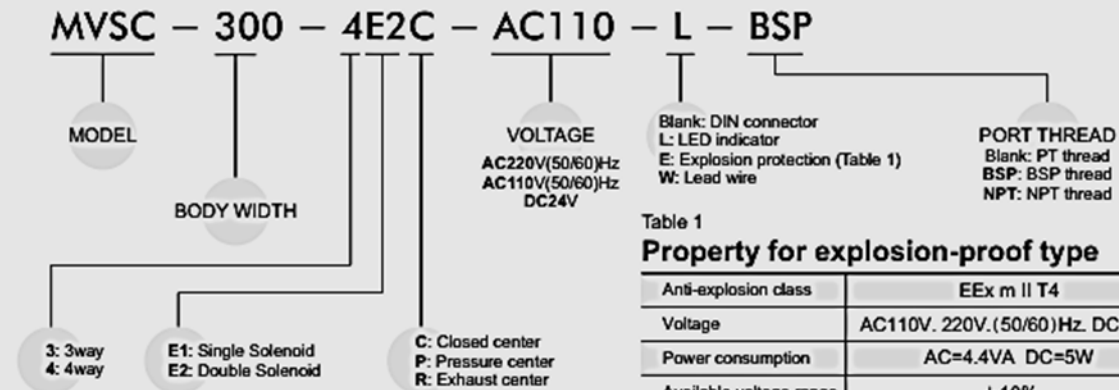
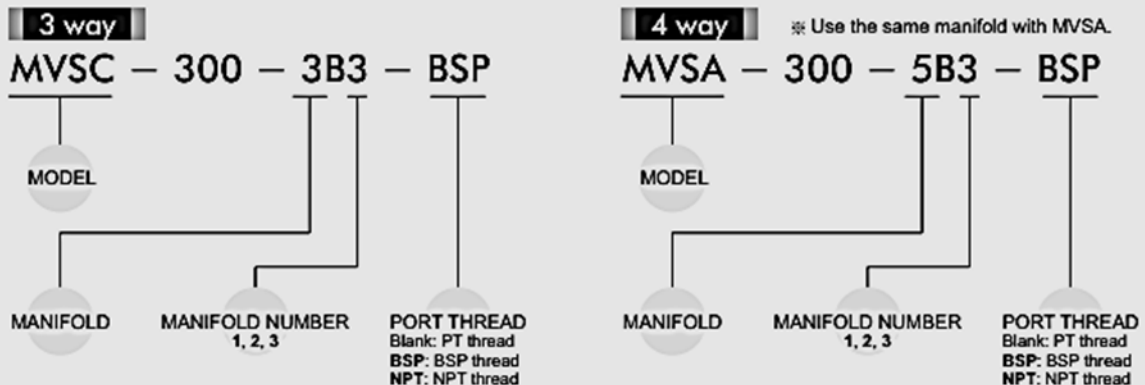


Table 1

Property for explosion-proof type

Anti-explosion class	EEx m II T4
Voltage	AC110V, 220V, (50/60)Hz, DC24V.
Power consumption	AC=4.4VA DC=5W
Available voltage range	±10%
Insulation class	F class

Order example of manifold:



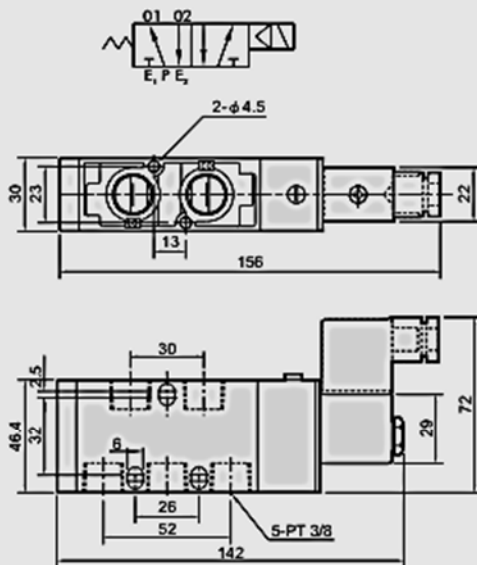
MVSC-300

SOLENOID VALVE

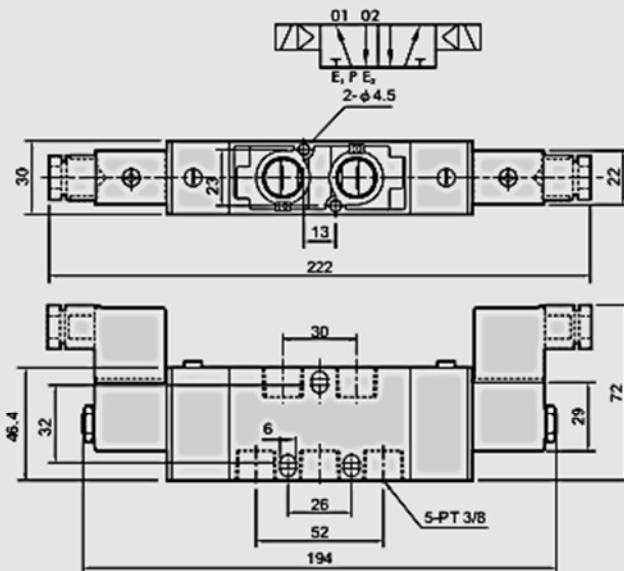


Dimensions:

MVSC-300-4E1

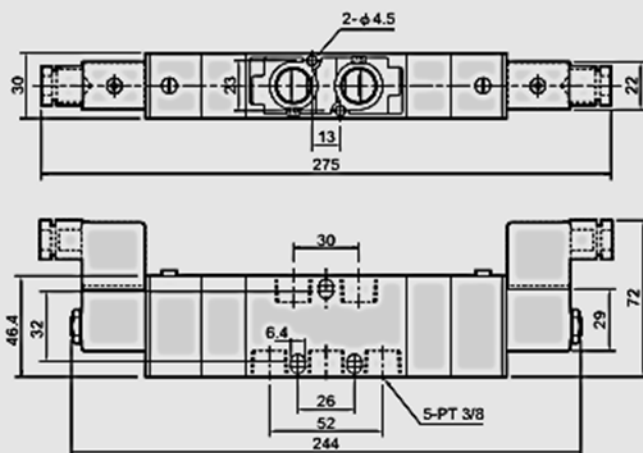


MVSC-300-4E2

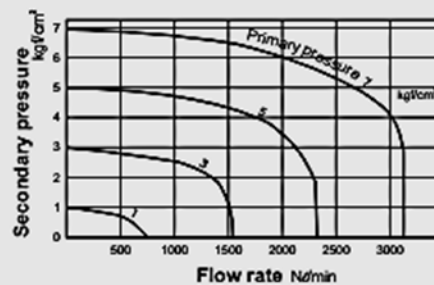


MVSC-300-4E2C.P.R

MVSC-300-4E2C MVSC-300-4E2P MVSC-300-4E2R



Flow features:



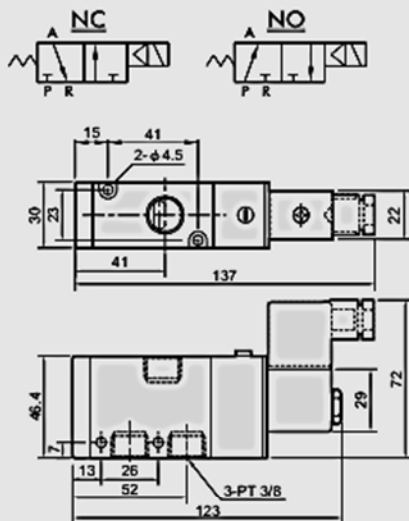
MVSC-300

SOLENOID VALVE

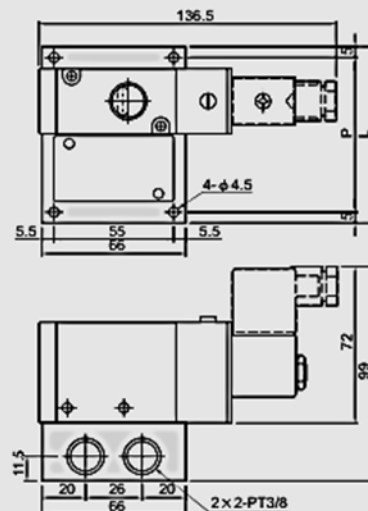


Manifold of solenoid valve:

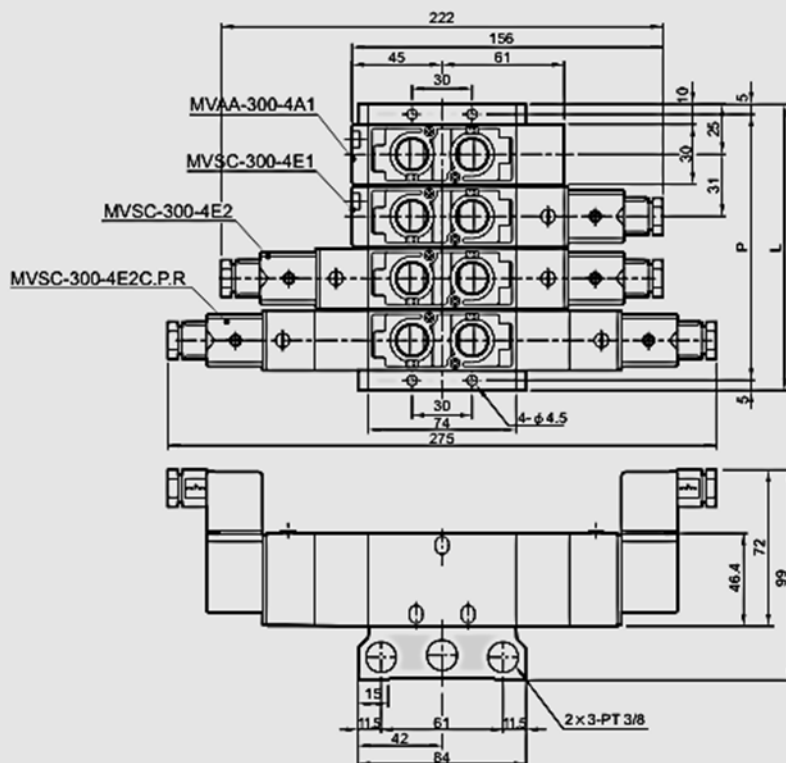
MVSC-300-3E1-NC/NO



MVSC-300-3B*



Manifold of solenoid valve:



No. of stations	P	L
2	71	81
3	102	112
4	133	143
5	164	174
6	195	205
7	226	236
8	257	267
9	288	298
10	319	329