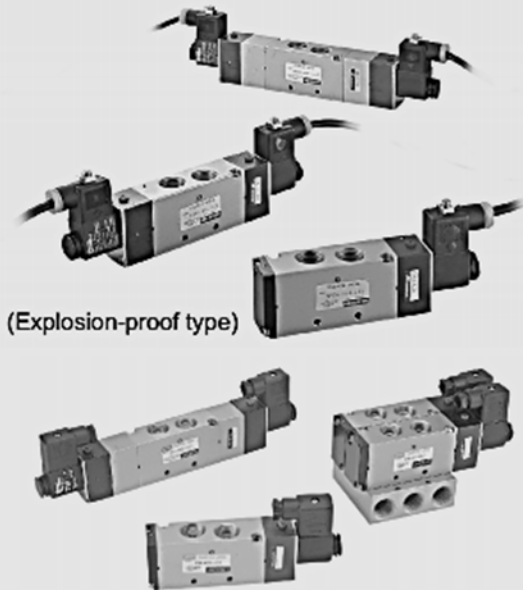


MVSC-460 series

SOLENOID VALVE



(Explosion-proof type)

Specification:

Model	MVSC-460-3E1	MVSC-460-4E1,E2	MVSC-460-4E2C.P.R
Bore No.	15A		
Port size	G 1/2		
No. of port	3	5	
No. of position	2	2	3
Medium	Air		
Operating pressure range	2~7 kgf/cm ²		3~7 kgf/cm ²
Proof pressure	10.5 kgf/cm ²		
Effective orifice	50 mm ²		30 mm ²
Response time	50 ms		
Ambient temperature	-5~+50°C (No freezing)		
Voltage	AC110V, 220V (50/60)Hz, DC24V		
Power consumption	AC=6/4.9VA DC=2.5W		
Available voltage range	±10%		
Insulation class	F class		
Weight	353 g	413 g	498 g
			755 g

※ Port thread PT. NPT. are also available.

Order example of valve:

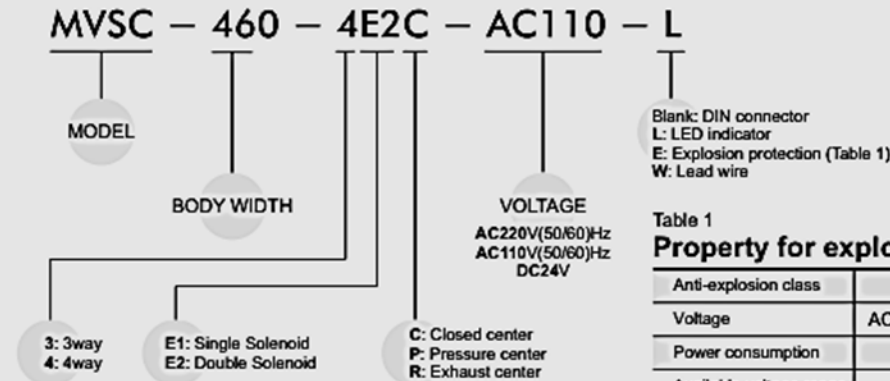
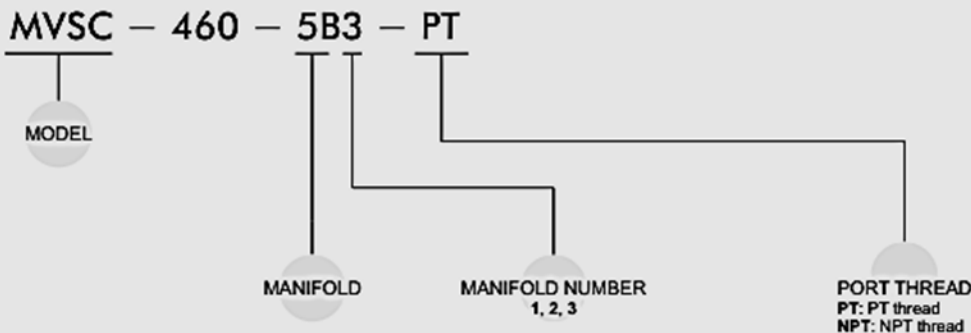


Table 1

Property for explosion-proof type

Anti-explosion class	EEx m II T4
Voltage	AC110V, 220V, (50/60)Hz, DC24V.
Power consumption	AC=4.4VA DC=5W
Available voltage range	±10%
Insulation class	F class

Order example of manifold:



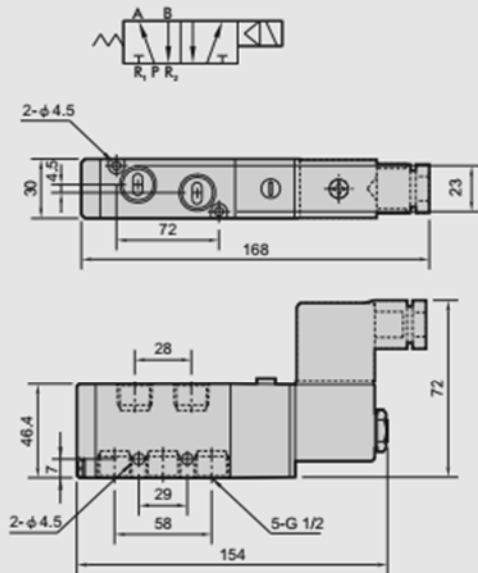
MVSC-460

SOLENOID VALVE

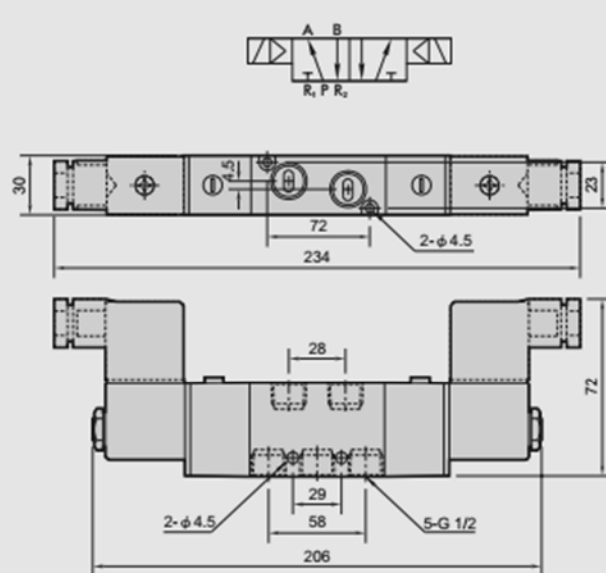


Dimensions:

MVSC-460-4E1

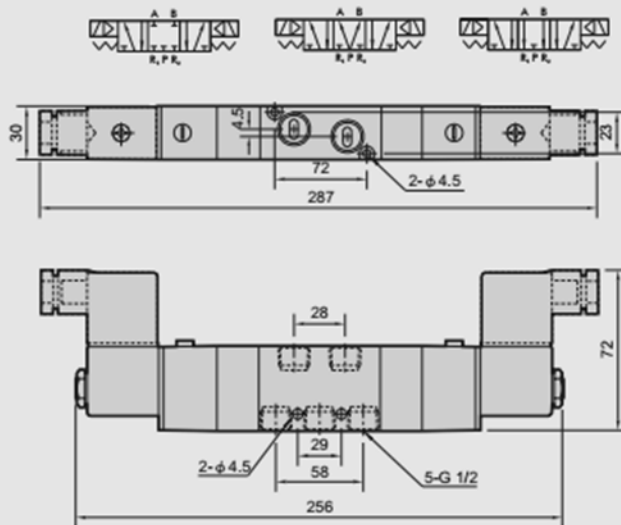


MVSC-460-4E2

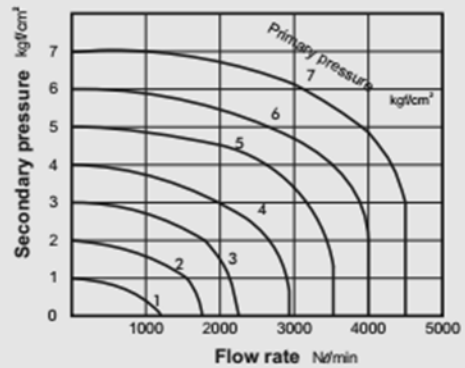


MVSC-460-4E2C.PR

MVSC-460-4E2C MVSC-460-4E2P MVSC-460-4E2R



Flow features:



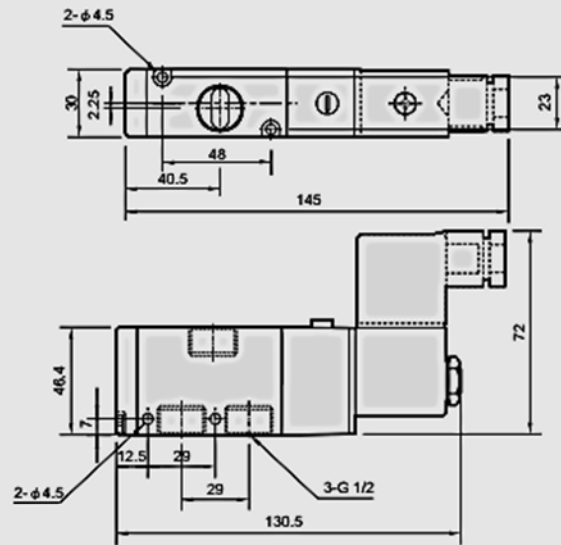
MVSC-460

SOLENOID VALVE



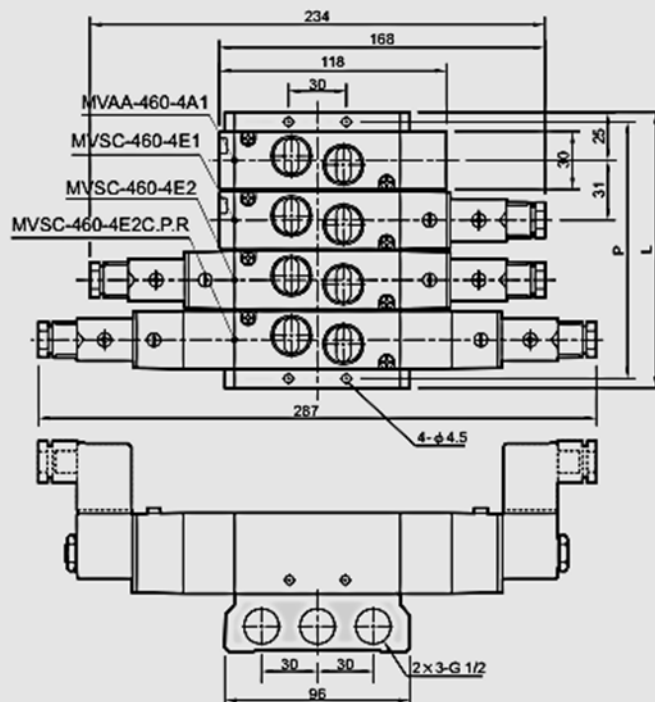
Dimensions:

MVSC-460-3E1-NC/NO



Manifold of solenoid valve:

MVSC-460-5B*



No. of stations	P	L
2	71	81
3	102	112
4	133	143
5	164	174
6	195	205
7	226	236
8	257	267
9	288	298
10	319	329