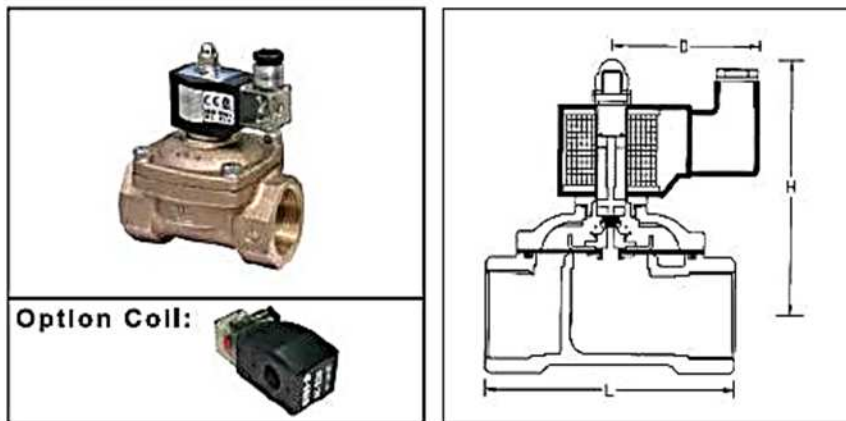




## UG (For Gas)



1. UG/UV series is pilot diaphragm drive, connected to diaphragm, normal close.
2. Valve body made of forged brass or cast bronze.
3. UG/UV can be operated directly without pressure.
5. Standard voltage: 110VAC / 220VAC / 24VDC
6. Other special AC/DC can be made to client's order.
7. Screwed end: BSPT , NPT , BSP.
8. The standard product fluid temperature is 80°C(NBR).
9. AC Voltage tolerance:  $\pm 10\%$  .  
DC Voltage tolerance:  $\pm 1\%$ .

DIN	MODEL	PIPE SIZE	Cv	ORIFICE	FLUID TEMP. °C	MAX. OPERATING PRESSURE DIFF, KG/CM <sup>2</sup>		DIMENSION(mm)			WEIGHT (kg)
						GAS	VACUUM	L	H	D	
●	U(G/V)-10	3/8"	4.5	15 mm	-5°C ~ 80°C	0-7	0-10 <sup>-3</sup> Torr	70	100	50	0.9
●	U(G/V)-15	1/2"	4.5	15 mm	-5°C ~ 80°C	0-7	0-10 <sup>-3</sup> Torr	70	100	50	0.9
●	U(G/V)-20	3/4"	8.6	20 mm	-5°C ~ 80°C	0-7	0-10 <sup>-3</sup> Torr	73	102	50	1.0
●	U(G/V)-25	1"	12	25 mm	-5°C ~ 80°C	0-7	0-10 <sup>-3</sup> Torr	93	106	50	1.8
●	U(G/V)-35	1 1/4"	24	35 mm	-5°C ~ 80°C	0-7	0-10 <sup>-3</sup> Torr	125	140	58	3.2
●	U(G/V)-40	1 1/2"	28	40 mm	-5°C ~ 80°C	0-7	0-10 <sup>-3</sup> Torr	125	140	58	3.5
●	U(G/V)-50	2"	48	50 mm	-5°C ~ 80°C	0-7	0-10 <sup>-3</sup> Torr	167	170	58	5.4



<b>MATERAIL</b>	
<b>PARTS</b>	<b>MATERAIL</b>
Body	Forge Brass / Cast Bronze
Coil	Special Copper Wire (H)
Core	Stainless Steel
Tube	Stainless Steel
Spring	Stainless Steel
Plug	NBR
Diaphragm	NBR For Gas use

[www.viaindustrial.com](http://www.viaindustrial.com)