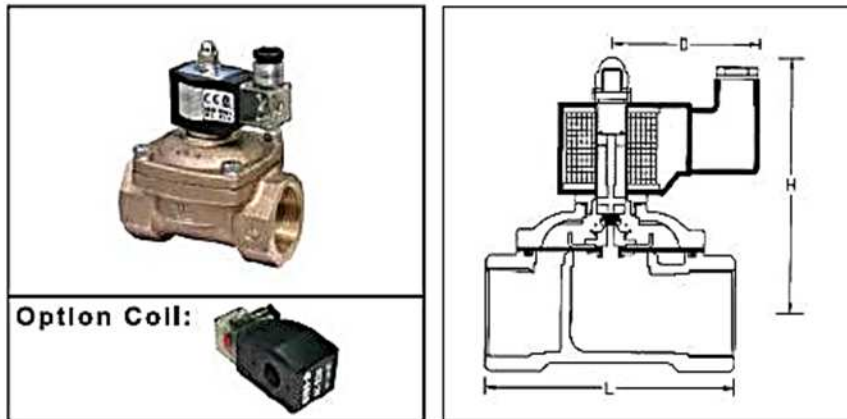




UG (For Gas)



1. UG/UV series is pilot diaphragm drive, connected to diaphragm, normal close.
2. Valve body made of forged brass or cast bronze.
3. UG/UV can be operated directly without pressure.
5. Standard voltage: 110VAC / 220VAC / 24VDC
6. Other special AC/DC can be made to client's order.
7. Screwed end: BSPT , NPT , BSP.
8. The standard product fluid temperature is 80°C(NBR).
9. AC Voltage tolerance: $\pm 10\%$.
DC Voltage tolerance: $\pm 1\%$.

| DIN | MODEL | PIPE SIZE | Cv | ORIFICE | FLUID TEMP. °C | MAX. OPERATING PRESSURE DIFF, KG/CM ² | | DIMENSION(mm) | | | WEIGHT (kg) |
|-----|-----------|-----------|-----|---------|----------------|--|-------------------------|---------------|-----|----|-------------|
| | | | | | | GAS | VACUUM | L | H | D | |
| ● | U(G/V)-10 | 3/8" | 4.5 | 15 mm | -5°C ~ 80°C | 0-7 | 0-10 ⁻³ Torr | 70 | 100 | 50 | 0.9 |
| ● | U(G/V)-15 | 1/2" | 4.5 | 15 mm | -5°C ~ 80°C | 0-7 | 0-10 ⁻³ Torr | 70 | 100 | 50 | 0.9 |
| ● | U(G/V)-20 | 3/4" | 8.6 | 20 mm | -5°C ~ 80°C | 0-7 | 0-10 ⁻³ Torr | 73 | 102 | 50 | 1.0 |
| ● | U(G/V)-25 | 1" | 12 | 25 mm | -5°C ~ 80°C | 0-7 | 0-10 ⁻³ Torr | 93 | 106 | 50 | 1.8 |
| ● | U(G/V)-35 | 1 1/4" | 24 | 35 mm | -5°C ~ 80°C | 0-7 | 0-10 ⁻³ Torr | 125 | 140 | 58 | 3.2 |
| ● | U(G/V)-40 | 1 1/2" | 28 | 40 mm | -5°C ~ 80°C | 0-7 | 0-10 ⁻³ Torr | 125 | 140 | 58 | 3.5 |
| ● | U(G/V)-50 | 2" | 48 | 50 mm | -5°C ~ 80°C | 0-7 | 0-10 ⁻³ Torr | 167 | 170 | 58 | 5.4 |



| MATERAIL | |
|-----------------|---------------------------|
| PARTS | MATERAIL |
| Body | Forge Brass / Cast Bronze |
| Coil | Special Copper Wire (H) |
| Core | Stainless Steel |
| Tube | Stainless Steel |
| Spring | Stainless Steel |
| Plug | NBR |
| Diaphragm | NBR For Gas use |

www.viaindustrial.com