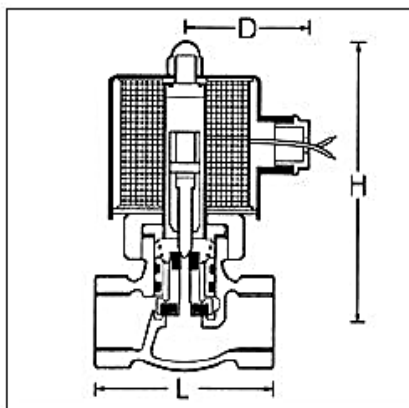




## US Series

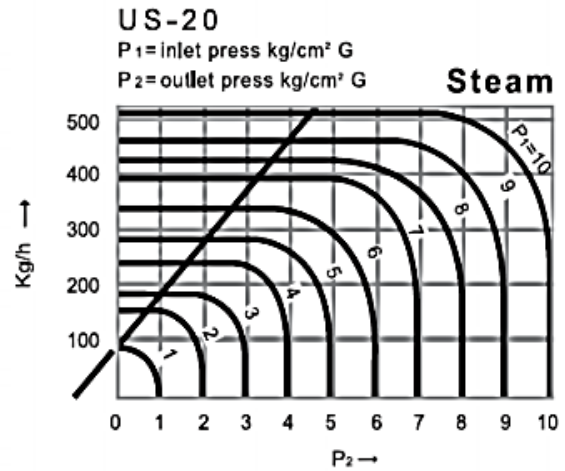
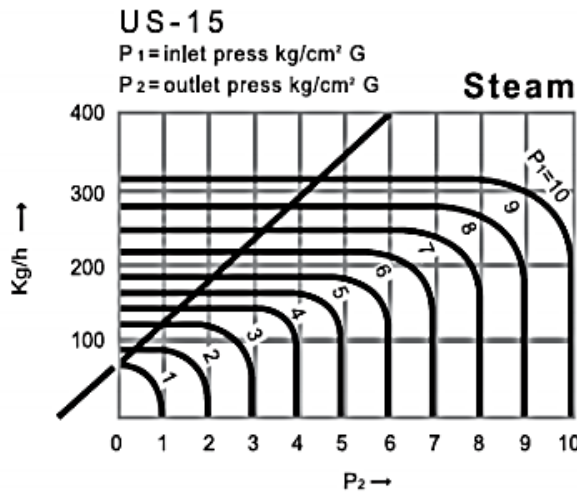


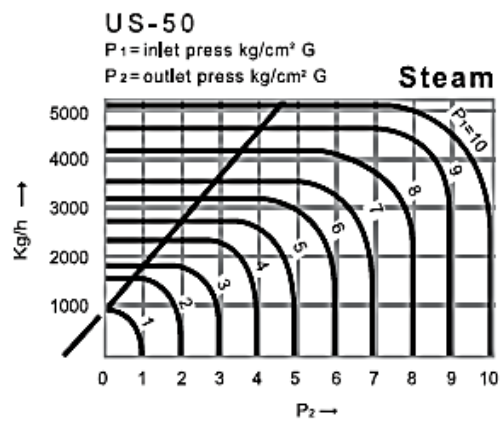
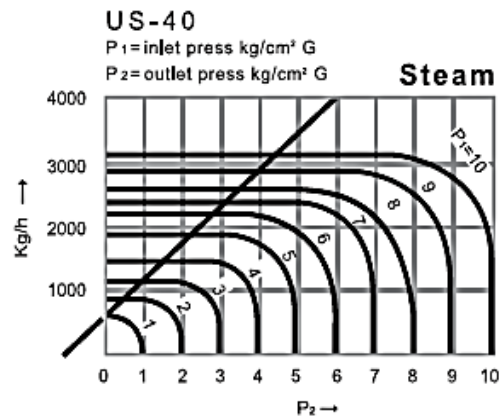
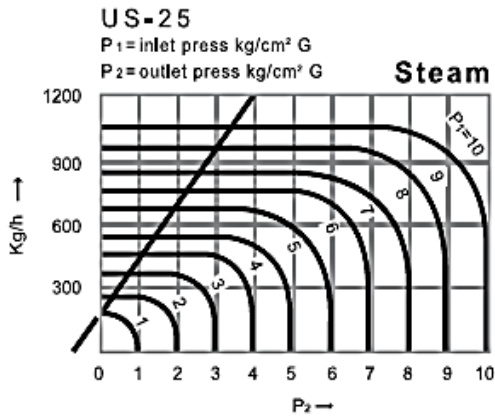
1. US series is multiplex-drive, piston guide ,conductive normal close.
2. Valve body made of cast bronze.
3. Standard voltage: 110VAC / 220VAC / 24VDC
4. Other special AC/DC can be made to client`s order.
5. Screwed end: BSPT , NPT , BSP.
6. The standard product fluid temperature is 185°C(PTFE).
8. In special case ,US can made 20 kgf/ cm<sup>2</sup>, 30kgf/cm<sup>2</sup> 40 kgf/cm<sup>2</sup> Please state the type of fluid with your order.
9. AC Voltage tolerance:  $\pm 10\%$  .  
DC Voltage tolerance:  $\pm 1\%$ .



DIN	MODEL	PIPE SIZE	Cv	ORIFICE	FLUID TEMP. °C	MAX. OPERATING PRESSURE DIFF, KG/CM <sup>2</sup>				DIMENSION(mm)			WEIGHT (kg)
						WATER	AIR	STEAM	HEAVY OIL	L	H	D	
	US-15	1/2"	4,0	17 mm	-5°C ~ 185°C	0,5-15	0,5-15	0,5-10	0,5-10	82	120	58	1,7
	US-20	3/4"	6,0	17 mm	-5°C ~ 185°C	0,5-15	0,5-15	0,5-10	0,5-10	82	123	58	1,7
	US-25	1"	12	22 mm	-5°C ~ 185°C	0,5-15	0,5-15	0,5-10	0,5-10	91	130	58	2,0
	US-35	1 1/4"	18	30 mm	-5°C ~ 185°C	1-10	1-15	1-10	1-10	110	141	58	3,1
	US-40	1 1/2"	22	30 mm	-5°C ~ 185°C	1-10	1-15	1-10	1-10	110	144	58	3,3
	US-50	2"	48	50 mm	-5°C ~ 185°C	1-10	1-15	1-10	1-10	163	173	58	7,2

MATERAIL	
PARTS	MATERAIL
Body	Cast Bronze
Coil	Special Copper Wire (H)
Core Needle	Stainless Steel
Tube	Stainless Steel
Spring	Stainless Steel
Plug	PTFE + 15%GF
Bonne/Nut	PTFE
Piston	Brass





[www.viaindustrial.com](http://www.viaindustrial.com)