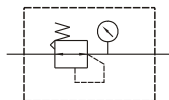


MAR300 series

AIR UNITS (R. UNIT)



Symbol:



Order example:

MAR300 — 8A — BSP

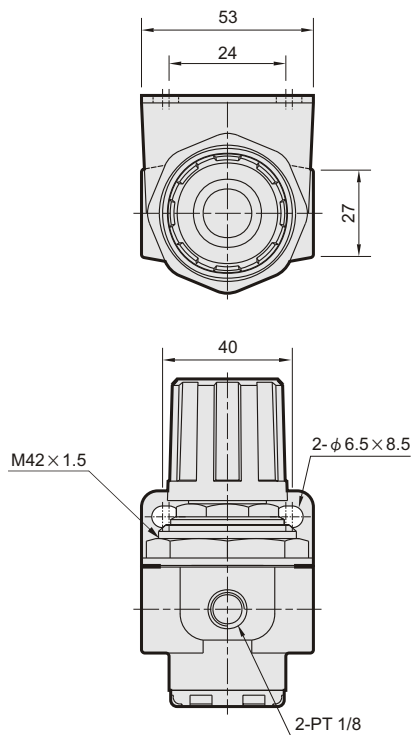
MODEL

BORE SIZE

8A: PT 1/4
10A: PT 3/8

PORT THREAD

Blank: PT thread
BSP: BSP thread
NPT: NPT thread



Specification:

Model	MAR300	
Bore No.	8A	10A
Port size	PT 1/4	PT 3/8
Medium	Air	
Operating pressure range	0~9.9 kgf/cm ² (0~0.99 MPa)	
Proof pressure	15 kgf/cm ² (1.5 MPa)	
Effective orifice	32 mm ²	34 mm ²
Regulation pressure range	0.5~8.5 kgf/cm ² (0.05~0.85 MPa)	
Ambient temperature	-5~+60°C (No freezing)	
Attachment	Bracket	
Option	Pressure gauge	
Weight	250g	

Flow feature:

