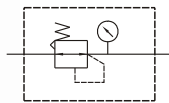


# MAR500 series

AIR UNITS (R. UNIT)



Symbol:



## Specification:

Model	MAR500	
Bore No.	20A	25A
Port size	PT 3/4	PT 1
Medium	Air	
Operating pressure range	0~9.9 kgf/cm <sup>2</sup> (0~0.99 MPa)	
Proof pressure	15 kgf/cm <sup>2</sup> (1.5 MPa)	
Regulation pressure range	0.5~8.5 kgf/cm <sup>2</sup> (0.05~0.85 MPa)	
Ambient temperature	-5~+60°C (No freezing)	
Attachment	Pressure gauge	
Weight	250g	

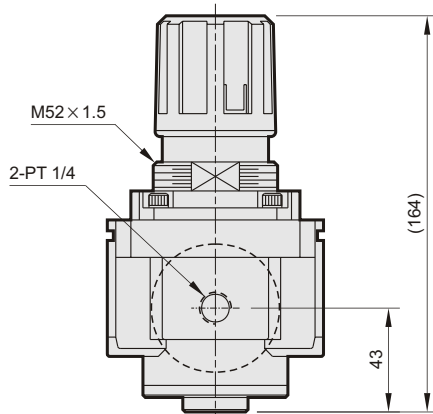
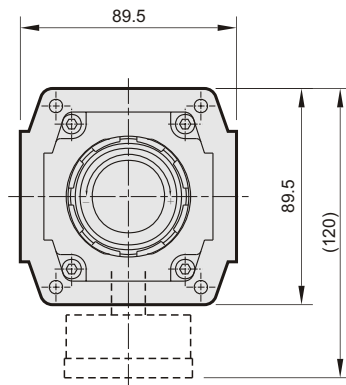
## Order example:

MAR500 — 20A — BSP

MODEL

BORE SIZE  
20A: PT 3/4  
25A: PT 1

PORT THREAD  
Blank: PT thread  
BSP: BSP thread  
NPT: NPT thread



## Flow feature:

