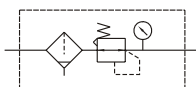


MAFR300 series

AIR UNITS (F.R.UNIT)



Symbol:



Specification:

Model	MAFR300	
Bore No.	8A	10A
Port size	PT 1/4	PT 3/8
Medium	Air	
Operating pressure range	0~9.9 kgf/cm ² (0~0.99 MPa)	
Proof pressure	15 kgf/cm ² (1.5 MPa)	
Effective orifice	32 mm ²	34 mm ²
Regulation pressure range	0.5~8.5 kgf/cm ² (0.05~0.85 MPa)	
Ambient temperature	-5~+60°C (No freezing)	
Filtration	Standard: 5 μm Option: 40 μm	
Attachment	Pressure gauge, bracket	
Weight	445 g	

Order example:

MAFR300 — 8A — — BSP

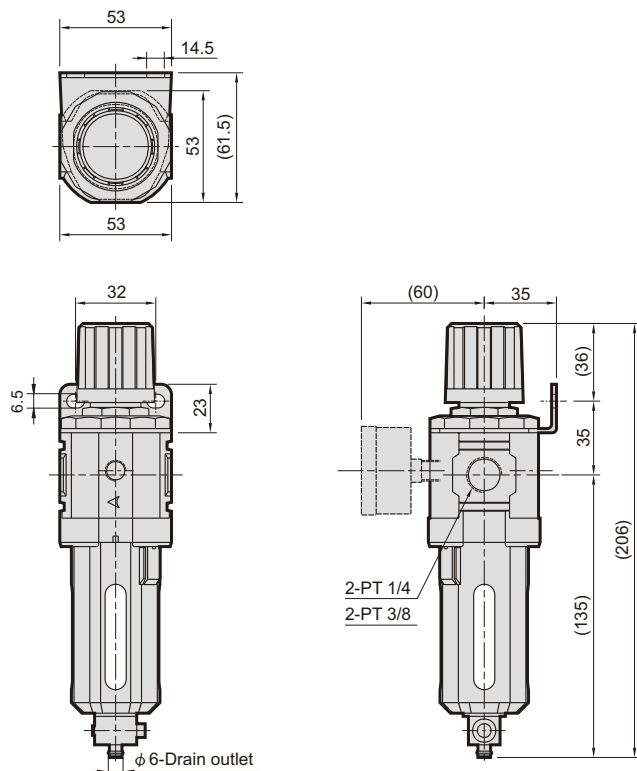
MODEL

BORE SIZE
8A: PT 1/4
10A: PT 3/8

: auto drain valve
(MADV 300)

PORT THREAD
Blank: PT thread
BSP: BSP thread
NPT: NPT thread

※ Standard Unit contains semi-auto-drain function when operating pressure below 0.5kgf/cm².



Flow feature:

