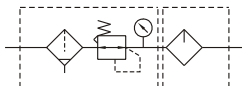


# MACT401 series

AIR UNITS (F.R.L.UNIT)



Symbol:



## Specification:

Model	MACT401		
Components	MAF401, MAR401, MAL401		
Bore No.	8A	10A	15A
Port size	PT 1/4	PT 3/8	PT 1/2
Medium	Air		
Operating pressure range	0~15 kgf/cm <sup>2</sup> (0~1.5 MPa)		
Proof pressure	20 kgf/cm <sup>2</sup> (2 MPa)		
Regulation pressure range	Standard type: 1~8.5 kgf/cm <sup>2</sup> (0.1~0.85 MPa)		
	High pressure type: 1~15 kgf/cm <sup>2</sup> (0.1~1.5 MPa)		
Ambient temperature	-5~+60 °C (No freezing)		
Filtration	Standard: 40 μm Option: 5 μm		
Lubricating oil capacity	200c.c		
Min. Flow for oil drip	30 l/min	65 l/min	80 l/min
Recommended lubricating oil	Turbine oil ISO-VG32		
Attachment	Pressure gauge, L-type bracket		
Weight	1821 g		

※ Standard unit contains semi-auto-drain function when operating pressure below 0.5kgf/cm<sup>2</sup>.

## Order example:

MACT401 — 8A — [ ] — T8 — BSP

MODEL

BORE SIZE

8A : PT 1/4  
10A : PT 3/8  
15A : PT 1/2

Module mounting bracket

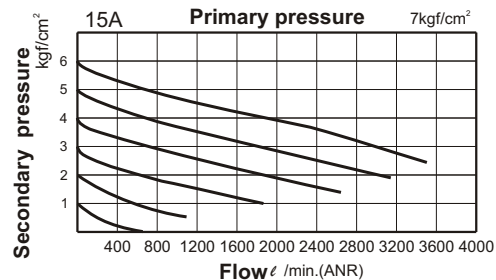
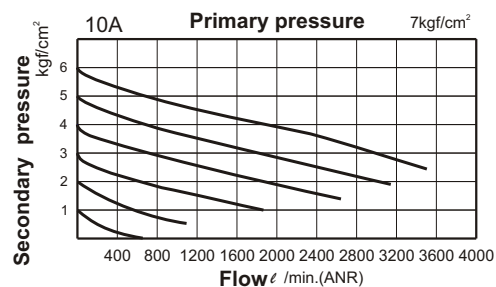
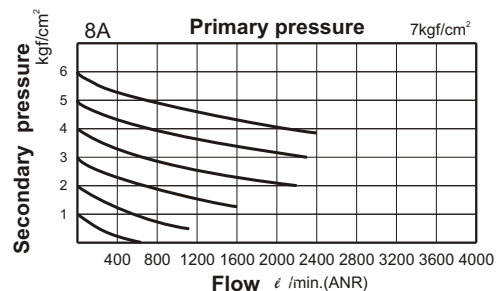
T8: PT 1/4  
T10: PT 3/8  
T15: PT 1/2

PORT THREAD

Blank: PT thread  
BSP: BSP thread  
NPT: NPT thread

Blank: standard  
C: external pressure gauge  
D: auto drain valve  
H: high pressure type  
P: pressure switch

## Flow feature:

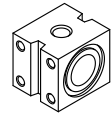
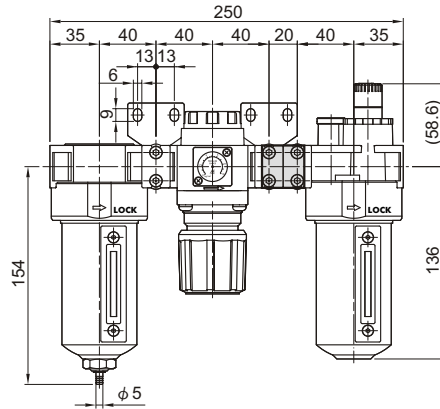
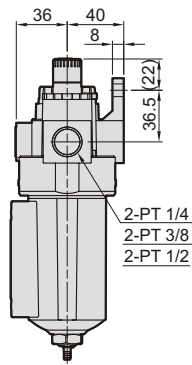
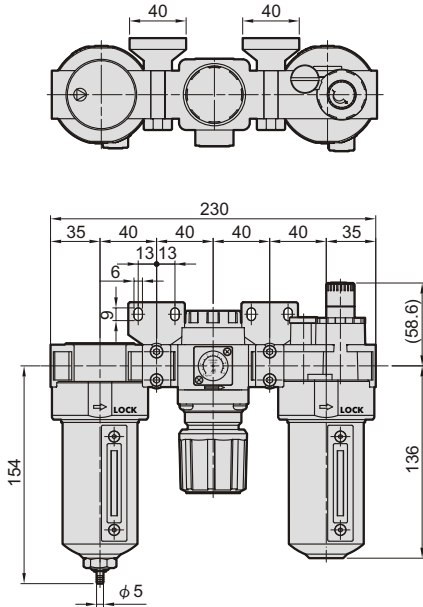


# MACT401 Dimensions

## AIR UNITS (F.R.L.UNIT)

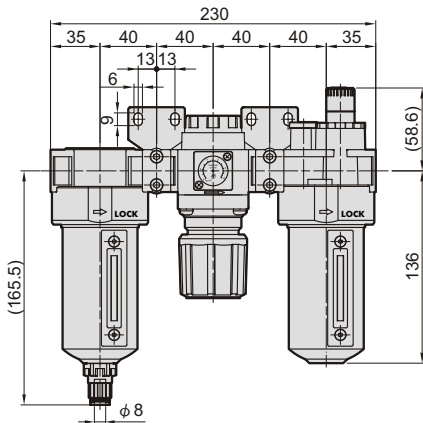


### MACT401-T\*



	PT
T8	PT 1/4
T10	PT 3/8
T15	PT 1/2

### MACT401-D



### MACT401-P

MPS Series  
pneumatic pressure switch

