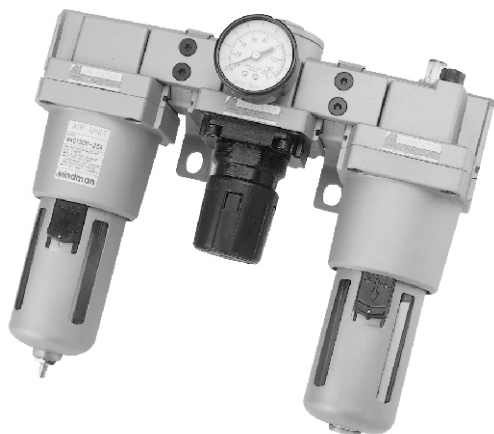


# MACT500 series

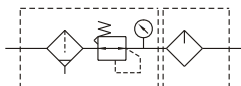
AIR UNITS (F.R.L.UNIT)



## Specification:

Model	MACT500	
Components	MAF500, MAR500, MAL500	
Bore No.	20A	25A
Port size	PT 3/4	PT 1
Medium	Air	
Operating pressure range	0~9.9 kgf/cm <sup>2</sup> (0~0.99 MPa)	
Proof pressure	15 kgf/cm <sup>2</sup> (1.5 MPa)	
Regulation pressure range	0.5~8.5 kgf/cm <sup>2</sup> (0.05~0.85 MPa)	
Ambient temperature	-5~+60°C (No freezing)	
Filtration	40 μm	
Lubricating oil capacity	175c.c	
Min. flow for oil drip	190 ℓ/min	
Recommended lubricating oil	Turbine oil ISO-VG32	
Attachment	Pressure gauge, bracket	
Weight	3800g	

Symbol:



Order example:

MACT500 - 20A - □ - BSP

MODEL

BORE SIZE  
20A: PT 3/4  
25A: PT 1

D: auto drain valve  
(MADV 500)

PORT THREAD  
Blank: PT thread  
BSP: BSP thread  
NPT: NPT thread

Flow feature:

