

# MVAA-180 series

MASTER VALVE



## Specification:

Model	MVAA-180-3A1,A2	MVAA-180-4A1,A2
Bore No.	6A	
Port size	PT 1/8	
No. of port	3	5
Medium	Air	
Operating pressure range	0~8 kgf/cm <sup>2</sup>	
Proof pressure	10 kgf/cm <sup>2</sup>	
Effective orifice	12 mm <sup>2</sup>	
Pilot pressure range	1.5~8 kgf/cm <sup>2</sup>	
Ambient temperature	-5~+60°C (No freezing)	
Weight	61 g	74 g

## Order example:

MVAA - 180 - 4A2 - BSP

MODEL

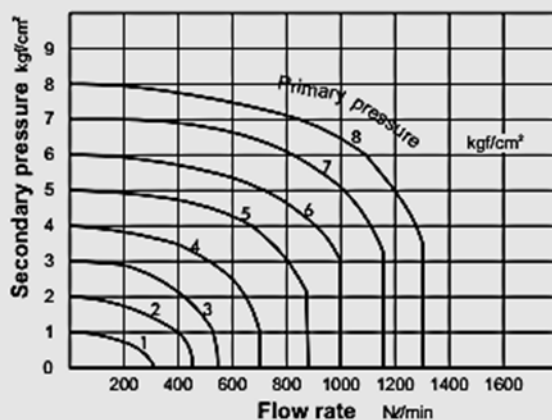
BODY WIDTH

3: 3way  
4: 4way

A1: Single air operate  
A2: Double air operate

PORT THREAD  
Blank: PT thread  
BSP: BSP thread  
NPT: NPT thread

## Flow features:



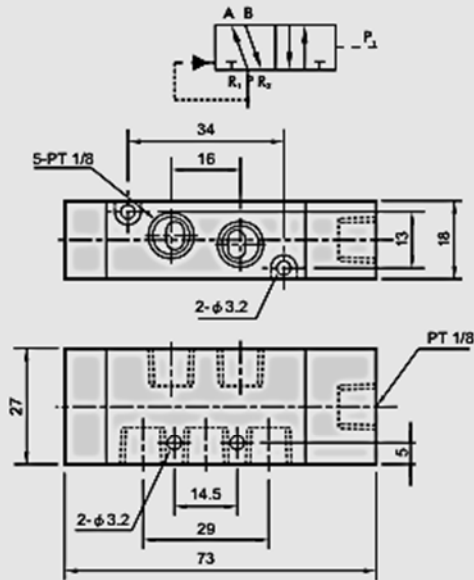
# MVAA-180

MASTER VALVE

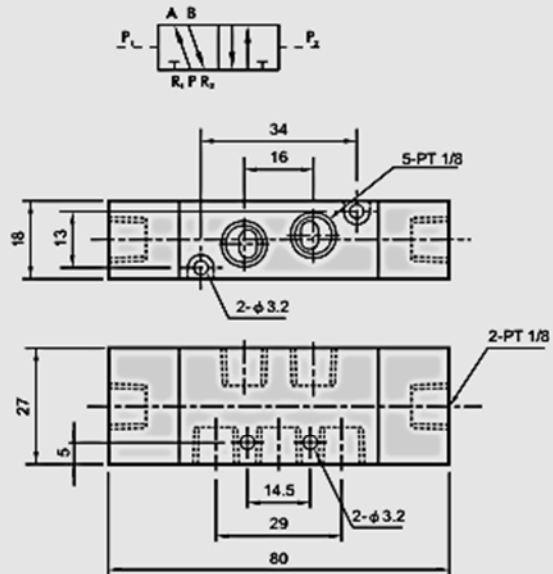


## Dimensions:

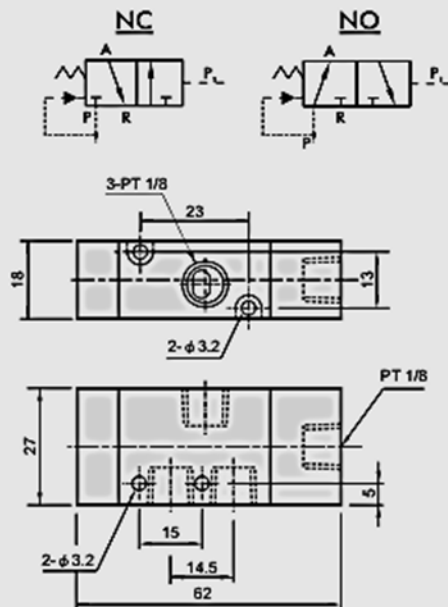
### MVAA-180-4A1



### MVAA-180-4A2



### MVAA-180-3A1-NC/NO



### MVAA-180-3A2

